



United Pacific



1966-1977

FORD BRONCO

PRODUCT CATALOG

The 1966 Ford Bronco was the beginning of an American Icon and to this day is still one of the most popular vehicles ever produced. Whether you are a classic car enthusiast, a hardcore off-roader or a steady daily driver, United Pacific has the replacement and restoration parts you need to make your Ford Bronco the build of your dreams.

As leaders in the industry, it is our mission to ensure the best fitment and function when it comes to your custom build. We understand the rigors and stresses that our products are subjected to on the road, so we partner with top manufacturing facilities that conform to our strict requirements and must perform quality assurance tests. It is our duty to provide our customers with products of superior quality and reliability.

QUALITY

With over 30 years of experience in the automotive aftermarket industry, United Pacific Industries understands the rigors and stresses that our products are subjected to on the road. It is our mission to provide our customers with products of superior quality and reliability. In achieving this goal, United Pacific only partners with manufacturing facilities that conforms to our quality control requirements and standards. Our manufacturing partners meet or exceed ISO-9001 requirements. In addition, United Pacific's manufacturing partners must be equipped on site to perform the following quality assurance tests and maintain a track record of consistent quality and low product failure rate.

- Aging Test
- Air Tight Test
- Dust Test
- Flux Test
- Photometric Test
- Pull Force Test
- Rain Test
- Salt Spray Test
- Shock Test
- Temperature Test
- Humidity Test
- Vibration Test

Furthermore, our internal quality control structure allows us to function as the final quality control station prior to shipping. With the assistance of 3D computer technology, United Pacific can adhere to strict quality control standards during prototype creation and the production process. Our engineers and technicians perform a battery of tests to ensure that our products meet the demands of today's drivers and our goal to be first in quality.

INNOVATION

Known as the leader in innovation, United Pacific is dedicated to be the first to bring new and exciting products to the market. United Pacific's global expertise allows us to search the globe for new ideas and concepts. Not only do we search the globe for new products, United Pacific invest a significant amount of resources into our own research and development efforts. With the assistance of advance 3D scanning technology, our engineers and designers can acquire accurate and precise data in seconds. The 3D data allows United Pacific to verify designs, perform quality assurance tests, and reverse engineer with unprecedented speed and accuracy. Digital inspection contributes to the early detection of shape problems, provides rapid feedback on design, and eliminates unnecessary work in downstream processes. Our rapid prototyping facility permits us to have a concept-to-shelf time of less than 5 months. In addition, United Pacific's 3D printing capabilities permit our designers to have physical models of their design concepts in hours. The physical models allow our designers and marketing staff to evaluate and test the viability of different design ideas. Our rapid prototyping facility allow United Pacific to compress design cycles, improve manufacturing planning, shorten concept-to-shelf time, most importantly, generate new and innovative products.

DESIGN

Located near some of the nation's most progressive automotive design centers, United Pacific established the UP Design Studio in 2002 to consolidate our position as the design leader in the automotive industry. UP Design Studio utilizes the latest generation of computer aided design (CAD) and studio/graphic software. The design studio is equipped with the newest computers and rapid prototyping systems. In addition, UP Design Studio is staffed by graduates from the nation's most prestigious design colleges. Unlike our competitors, United Pacific's design and manufacturing capabilities mean that we carry more new and original items than our competitors. The establishment of the design studio will enable us to generate even more new products with significant shorter concept-to-shelf time. The reduction in development cost mean that we can develop products utilizing design based development processes. Design based product development allows United Pacific to create new product concepts based on designs incorporating driver demands and needs instead of economic considerations. United Pacific's emphasis on design distinguishes and positions us ahead of our competitors.

INVENTORY AND SHIPPING

United Pacific carries over 20,000 items in our California distribution center. No other company in the heavy duty trucking industry can match United Pacific in the variety and range of in-stock inventories. With an order fill rate of over 98.5%, United Pacific is the largest and most reliable supplier in the industry. Our shipping department ships 96.8% of all orders within 24 hours and 98.9% within 48 hours. United Pacific's vast inventory and prompt shipping has made United Pacific the only source for our customer's chrome and lighting needs.



HARD AT WORK FOR THE ENVIRONMENT



United Pacific
132,000 sq ft
Distribution Center
Long Beach, CA

100% reduction in potable water used for landscaping

40% reduction in total energy use due to high-efficiency mechanical and lighting systems

82% of construction waste was diverted from landfills

LEED ACCOMPLISHMENTS

Sustainable Sites

- On-site bicycle storage, showers and changing areas for company employees.
- Preferred parking for low-emitting, fuel-efficient and carpool vehicles.
- Stormwater is infiltrated on-site and treated to remove contaminants to reduce environmental impact on local waterways.

Water Efficiency

- In addition to using reclaimed water, drought-tolerant plants and a high-efficiency irrigation system were installed to reduce the use of potable water for irrigation by 100%.

Energy and Atmosphere

- Efficient HVAC equipment and a lighting system with daylight controls reduces energy consumption by over 30%.
- Enhanced commission verifies that the building's energy and water-related systems are performing as intended by the initial design.

Indoor Environmental Quality

- Building ventilation systems was designed to provide enhanced levels of fresh outside air to building occupants.
- Interior finishes (plants, sealants, adhesives, coatings, carpet systems and composite wood) were selected with low levels of volatile organic compounds (VOCs) to reduce indoor air contamination.







1966-77 FORD BRONCO

HOOD WITH WASHER HOLES & VENTS

- Die stamped with high quality 18 gauge sheet metal
 - Uses the early 66-69 style hood rod prop location
 - Pre-drilled fold down windshield u-bolt mounting holes with reinforced center brace
 - Also has air box vent openings and washer mounting holes
 - Black EDP coated finish
 - *Oversize freight policy*
- 110460**



1966-77 FORD BRONCO

HOOD WITH VENTS

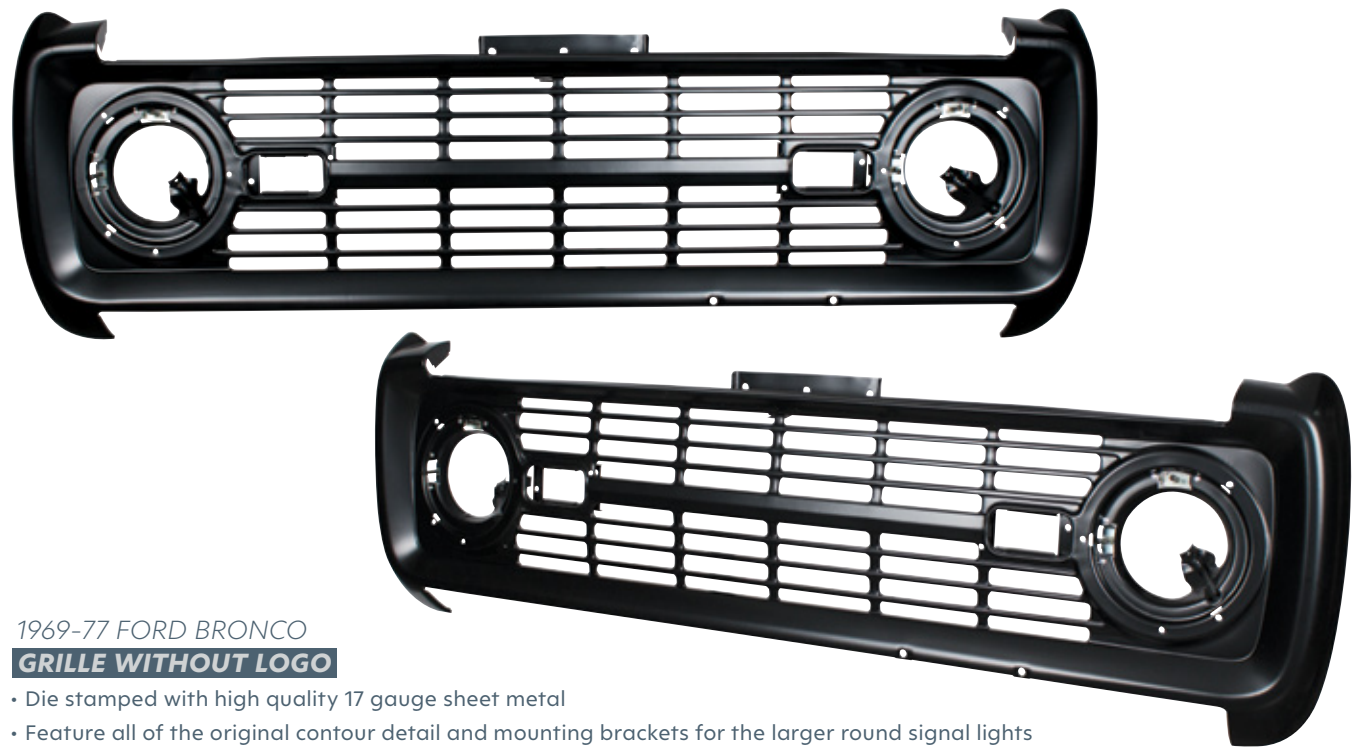
- Die stamped with high quality 18 gauge sheet metal
 - Uses the early 66-69 style hood rod prop location
 - Has air box vent openings and washer mounting holes
 - Black EDP coated finish
 - *Oversize freight policy*
- 110461**



1966-77 FORD BRONCO

HOOD WITH WASHER HOLES & VENTS

- Die stamped with high quality 18 gauge sheet metal
 - Uses the 70-77 style hood rod prop location
 - Has air box vent openings and washer mounting holes
 - Black EDP coated finish
 - *Oversize freight policy*
- 110462**



1969-77 FORD BRONCO
GRILLE WITHOUT LOGO

- Die stamped with high quality 17 gauge sheet metal
- Feature all of the original contour detail and mounting brackets for the larger round signal lights
- Smooth design to keep that clean front end look
- Black EDP coated finish
- Headlight adjusters included
- *Oversize freight policy*

110515

1966-77 FORD BRONCO
FORD GRILLE LETTER SET

- High quality chrome plated
- Comes with speed nuts for easy installation

110482



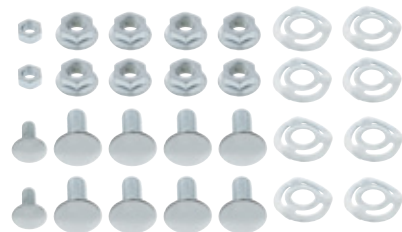
1966-77 FORD BRONCO
FRONT/REAR BUMPER

- Made with heavy 1/8" thick sheet metal
- Fits front or rear
- Features all original square shaped mounting holes
- Polished stainless steel bumper bolt set sold separately
- *Oversize freight policy*

110465 | Chrome

110466 | Black

110536 | Bumper bolt set





1966-77 FORD BRONCO
FRONT FENDER APRON

- Quality 20 gauge stamped steel
- Features all original contour and mounting patterns for front fender installation
- Coated with weldable primer
- Sold individually, please specify left or right side

110365 | Driver LH
110364 | Passenger RH



1966-77 FORD BRONCO
FRONT FENDER

- Die stamped 19 gauge sheet metal
- Features all original fender curvature and mounting pattern, without sidemarker cutout and emblem stud holes
- Black EDP coated finished
- Sold individually, please specify left or right side
- *Oversize freight policy*

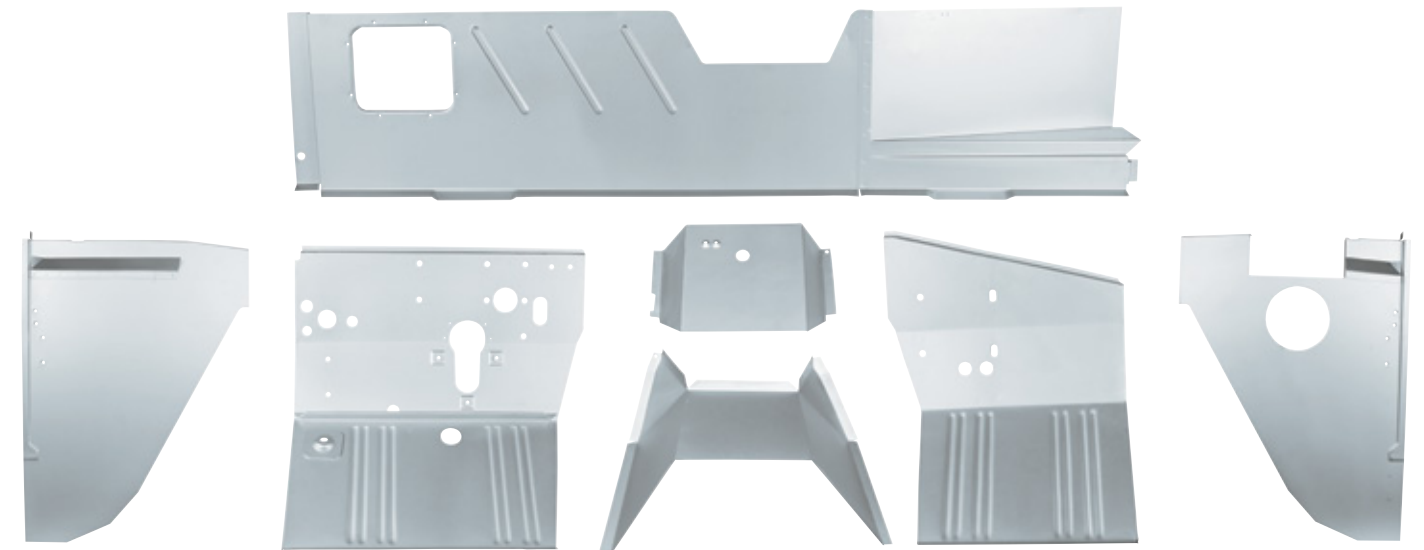
110463 | Driver LH
110464 | Passenger RH



1966-77 FORD BRONCO
FIREWALL ASSEMBLY

- High quality steel reproduction
- Die stamped with high quality 18 gauge sheet metal
- Features all original 1966 contour detail and cutouts
- Coated with weldable primer
- Fully assembled for quick drop in restorations

• *Oversize freight policy*
110369



1966-77 FORD BRONCO
FIREWALL KIT

- Excellent quality steel Firewall Kit
- Made with excellent quality 18 gauge sheet metal
- Features all original 1966 contour detail and cutouts
- Coated with weldable primer
- Kit includes: left & right kick panel, left & right dash panel, upper & lower dash panel, cowl lower panel
- User assembly is required

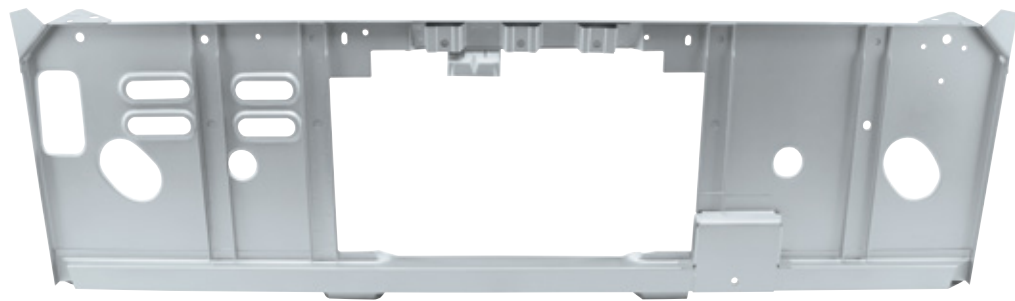
• *Oversize freight policy*
110535



1966-77 FORD BRONCO
OUTER COWL SIDE PANEL

- Heavy 18 gauge stamped sheet metal as original
- Coated in weldable primer
- Sold individually, please specify left or right side

110240 | Driver LH
110241 | Passenger RH



1966-77 FORD BRONCO

RADIATOR SUPPORT

- Die stamped 16 gauge sheet metal with reinforcing steel gussets
- Includes heavy 12 gauge lower radiator support brackets & cradles
- Coated in weldable primer

110385



1966-77 FORD BRONCO

DASH PANEL ASSEMBLY

- Die stamped with quality 20 gauge sheet metal
- Features the later 73-77 original style contour and components cutouts
- Single din radio cutout for easy installation of modern head units
- Coated in weldable primer

110502



1966-77 FORD BRONCO

WINDSHIELD FRAME

- Accurate reproduction of the front steel windshield frame with all of the original contours and details
- Roll-formed with 16 gauge steel
- Black EDP coated finish
- Windshield frame includes windshield hinge attached
- OEM Number: C9TZ-9703114-A
- *Oversize freight policy*

110397

1966-77 FORD BRONCO

WINDSHIELD FRAME HINGE

- Original piano hinge design
- Heavy duty 16 gauge steel
- Black EDP coated finish

110398



1968-77 FORD BRONCO

WINDSHIELD TO COWL MOUNT

- Essential component for connecting the firewall and the front windshield hinge
- Die stamped with 18 gauge steel
- Coated in weldable primer

110349



1966-67 FORD BRONCO

VENT WINDOW HANDLES

- Beautifully die-cast and chrome plated as original
- Includes mounting hardware
- Sold in pair

110131



1968-77 FORD BRONCO

VENT WINDOW HANDLES

- Beautifully die-cast and chrome plated as original
- Includes mounting hardware
- Sold in pair

110132



1966-77 FORD BRONCO

CHROME VENT WINDOW ASSEMBLY

- Beautifully chrome plated
- Fully assembled and ready to install
- Sold individually, please specify left or right side

110218 | Passenger RH

110219 | Driver LH



1966-77 FORD BRONCO

VENT WINDOW ASSEMBLY

- Retains all original contour and detail
- Black coated inner frame with untinted glass
- Chrome plated vent handle and outer frame with door window felt

• Sold individually, please specify left or right side

110273 | Driver LH

110274 | Passenger RH

1966-67 FORD BRONCO

DOOR SHELLS

- Die-stamped with high quality 20 gauge sheet metal, features all of the original 66-67 contour detail
- Perfect for replacing that damaged door skin on the original door shell
- Black EDP coated finish
- Sold individually, please specify left or right side

110370 | Passenger RH
110371 | Driver LH



1968-77 FORD BRONCO

DOOR SHELLS

- Die-stamped with high quality 20 gauge sheet metal, features all of the original 68-77 contour detail
- Perfect for replacing that damaged door skin on the original door shell
- Black EDP coated finish
- Sold individually, please specify left or right side

110372 | Passenger RH
110373 | Driver LH



1968-77 FORD BRONCO

DOOR SKIN

- Excellent 20 gauge stamped sheet metal reproduction of the door skin with all of the original contour detail
- Perfect for replacing that damaged door skin on the original door shell
- Black EDP coated finish
- OEM Number: C9TZ-9720125-A
- Sold individually, please specify left or right side

110356 | Driver LH
110357 | Passenger RH

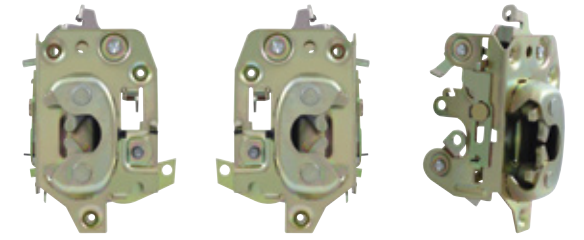


1966-77 FORD BRONCO

DOOR HINGE

- All mounting holes and threads fully machined & ready to install
- Precision steel for strength & durability
- Sold individually, please specify left or right side

110352 | Driver LH
110353 | Passenger RH

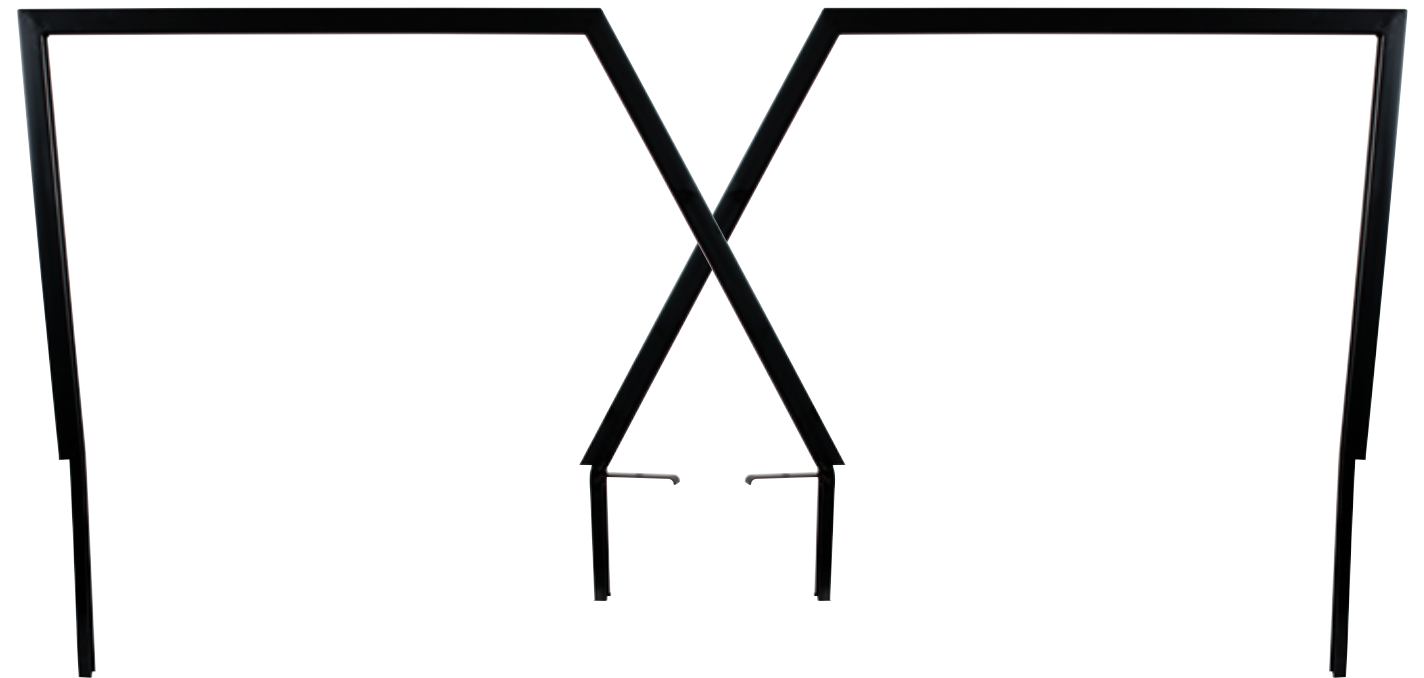


1968-77 FORD BRONCO

DOOR LATCHES

- Exact copy of the original Bronco door latch
- Precision stampings with original design mechanism
- Mounting hardware not included
- Sold individually, please specify left or right side

F20012 | Passenger RH
F20013 | Driver LH



1966-68 FORD BRONCO

DOOR WINDOW FRAME

- Excellent steel reproduction with the original mounting design and contour
- Black EDP coated finish
- Thread plated welded to frame for easy mounting to door shell
- OEM #: C6TZ-9722220-A / C6TZ-9722221-A
- Sold individually, please specify left or right side

110478 | Passenger RH
110479 | Driver LH



1966-67 FORD BRONCO

A-PILLAR HINGE JAMB POST

- Excellent stamped 17 gauge sheet metal
- Exact duplicate of the factory OEM door pillar
- Has heavy duty hinge backing plates as original with 5/16-18 thread
- Coated in weldable primer
- Sold individually, please specify left or right side
- OEM#: C6TZ-9602501-A

110233 | Driver LH

110234 | Passenger RH



1968-77 FORD BRONCO

A-PILLAR HINGE JAMB POST

- Excellent stamped 17 gauge sheet metal
- Exact copy of the original bronco a-pillars
- Coated in weldable primer
- Sold individually, please specify left or right side

110509 | Passenger RH

110510 | Driver LH



1966-77 FORD BRONCO

B-PILLAR REINFORCEMENT

- Stamped heavy 16 gauge sheet metal
- Exact copy of the original Bronco b-pillars
- Coated in weldable primer
- Sold individually, please specify left or right side

110511 | Driver LH

110512 | Passenger RH



1966-67 FORD BRONCO

DOOR STRIKER KIT

- Heavy duty steel reproduction of the original striker
- Round latch stud
- Includes one shim and two 5/16 - 18 screws
- Fits both the left or right hand side

110476



1968-77 FORD BRONCO

DOOR STRIKER KIT

- Heavy duty steel reproduction of the original striker
- Original style oval latch stud
- Includes two shims and two 5/16 - 18 screws
- Fits both the left or right hand side

110477



1968-77 FORD BRONCO

B-PILLAR DOOR JAMB

- Excellent die stamped 17 gauge sheet metal reproduction of the door B-pillar jamb post with all of the original contour detail
- Includes door latch striker plate, striker plate shims, striker plate screws & upper corner filler strip
- Coated in weldable primer
- Sold individually, please specify left or right side
- OEM Number: C8TZ-9628161-A

110354 | Driver LH

110355 | Passenger RH



1966-67 FORD BRONCO

B-PILLAR DOOR JAMB

- Excellent stamped 17 gauge sheet metal
- Features all original contour and detail
- Caged striker mounting plate with 5/16-18 tapped holes
- Includes upper pillar post extension
- Coated with weldable primer
- Sold individually, please specify left or right side

110474 | Driver LH

110475 | Passenger RH

1968-77 FORD BRONCO

INNER ROCKER PANEL

- Excellent reproduction of the original inner rocker panel with all contour detail
- Made with 18 gauge steel
- Coated in weldable primer
- Sold individually, please specify left or right side
- OEM Number: C6TZ-16505-A

110269 | Driver LH

110270 | Passenger RH



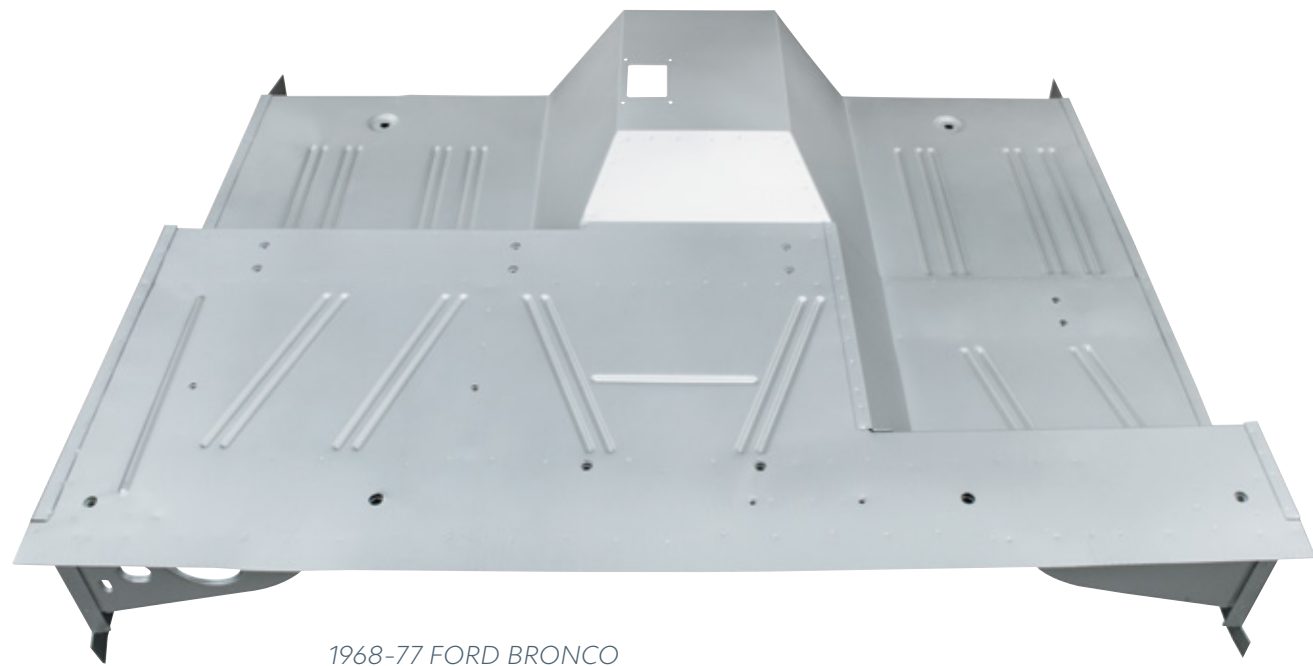
1966-77 FORD BRONCO

ROCKER PANEL

- Excellent stamped sheet metal reproduction of the rocker panel with all of the original contour detail
- Die stamped with 18 gauge steel
- Coated in weldable primer
- Fits both the left and right hand sides

110336



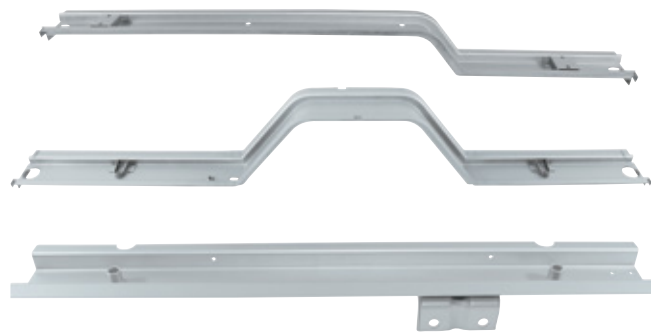


1968-77 FORD BRONCO
FRONT FLOOR PAN ASSEMBLY

- Heavy 18 gauge stamped sheet metal as original
 - Fully assembled with inner rocker panels, under floor braces, and supports
 - Coated in weldable primer
 - *Oversize freight policy*
- 110504**

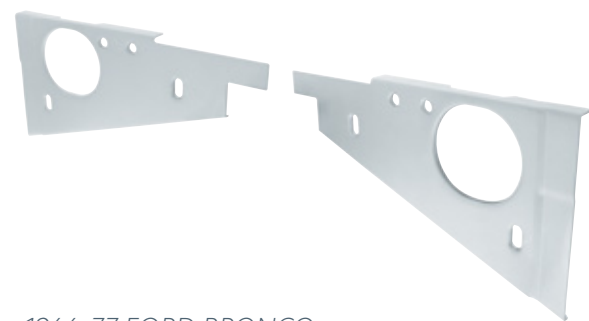
1966-67 FORD BRONCO
FLOOR PAN BRACES

- Center and front floor pan brace made out of 14 gauge stamped sheet metal
 - Rear floor pan brace made out of 15 gauge stamped sheet metal
 - Coated in weldable primer
 - Sold separately, please specify center, front, or rear
- 110235 | Center Floor Pan Brace**
110236 | Front Floor Pan Brace
110237 | Rear Floor Pan Brace



1966-77 FORD BRONCO
FRONT FLOOR PAN SUPPORT BRACES

- Heavy 14 gauge stamped sheet metal as original
 - Coated in weldable primer
 - Sold in sets
- 110242**



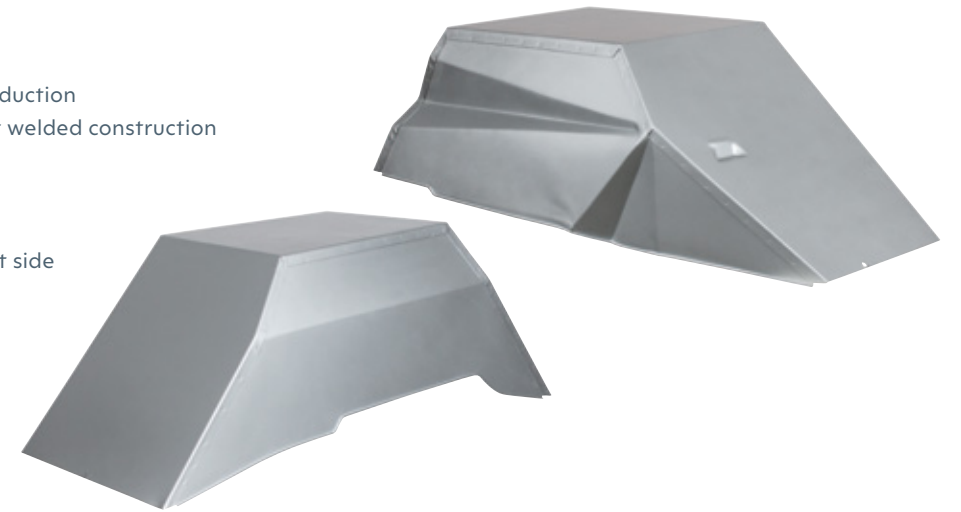
1966-77 FORD BRONCO
REAR FLOOR PAN SUPPORT BRACES

- Heavy 14 gauge stamped sheet metal as original
 - Coated in weldable primer
 - Sold in sets
- 110238**

1966-77 FORD BRONCO

WHEELHOUSE

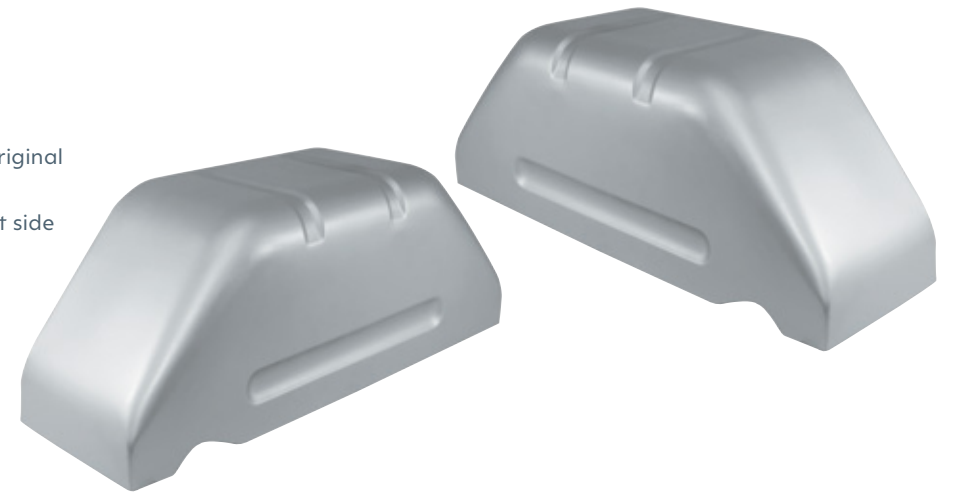
- High quality 18 gauge stamped steel reproduction
 - Features all original design and tough spot welded construction
 - L/H side require modification for Bronco with power steering or power brake
 - Coated with weldable primer
 - Sold individually, please specify left or right side
- 110366 | Passenger RH**
110367 | Driver LH



1966-77 FORD BRONCO

INNER REAR WHEELHOUSE

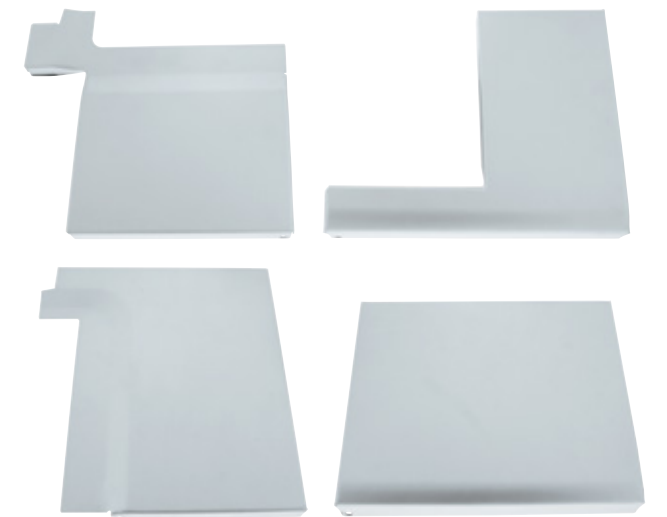
- Heavy 18 gauge stamped sheet metal as original
 - Coated in weldable primer
 - Sold individually, please specify left or right side
- 110277 | Driver LH**
110278 | Passenger RH



1966-77 FORD BRONCO

WHEELHOUSE TO CORE SUPPORT BRACES

- Heavy duty 14 gauge sheet metal
 - Body mount bracket comes spot welded for easy and quick body to frame mounting
 - Features mounting holes on each brace for battery tray installation
 - Coated with weldable primer
 - 3 Piece set
- 110368**



1966-77 FORD BRONCO

WHEELHOUSE FILLER PLATES

- Heavy 15 gauge stamped sheet metal as original
 - Modification required for installation on 1977 Bronco
 - Coated in weldable primer
 - Sold individually, please specify left or right side
- 110275 | Driver LH**
110276 | Passenger RH



1966-77 FORD BRONCO
BED STAKE CORNER

- Quality 16 gauge die stamped sheet metal reproduction with all of the original contour detail
 - Coated in weldable primer
 - Sold individually, please specify left or right side
- 110350 | Driver LH**
110351 | Passenger RH



1966-77 FORD BRONCO
TAIL LIGHT HOUSING CORNER PANEL

- Heavy 17 gauge stamped sheet metal as original
 - Coated in weldable primer
 - Sold individually, please specify left or right side
- 110271 | Driver LH**
110272 | Passenger RH



1966-77 FORD BRONCO
CARGO BED / FLOOR PAN

- Die stamped with quality 17 gauge sheet metal
 - Features all original grooves and mounting holes
 - Coated in weldable primer
 - *Oversize freight policy*
- 110328**



1966-77 FORD BRONCO
LOWER QUARTER PANEL SKIN

- Fix that cut-up Bronco with fresh new 20 gauge sheet metal quarter panels
 - Full panels from seam to seam (not patches)
 - Coated in weldable primer
 - Sold individually, please specify left or right side
 - OEM#: C6TZ-9627817-A
- 110334 | Driver LH**
110335 | Passenger RH



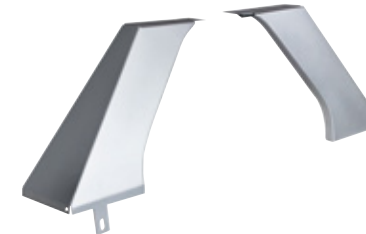
1966-77 FORD BRONCO
BED/INNER QUARTER PANEL

- This panel is the cap of the quarter panel and inside panel of the bed area
 - Made with quality 17 gauge sheet metal
 - Coated in weldable primer
 - Sold individually, please specify left or right side
 - OEM#: C6TZ-9627815-A
- 110332 | Driver LH**
110333 | Passenger RH



1966-77 FORD BRONCO
BED SUPPORT CROSS RAIL

- Die stamped with heavy 14 gauge sheet metal
 - Features all original contour and detail
 - Coated in weldable primer
- 110327**



1966-77 FORD BRONCO
TANK FILLER GUARD SET

- Made with high quality 17 gauge sheet metal
 - Has identical curvature and detail as original
 - Coated in weldable primer for easy attachment to wheel house and inner quarter panel
 - Front and back guard included
- 110331**



1966-77 FORD BRONCO
FUEL TANK

- Die stamped with Ni-Terne treated steel sheet
 - Features all of the original detail and contour
 - Approximately 13 gallon fuel capacity
 - Precision notched fuel tank strap recesses for better positioning during installation
- 110561**





1966-76 FORD BRONCO
FUEL SENDING UNIT

- Made with corrosion resistant stainless steel
 - Brass float just like the original
 - Includes rubber seal, stainless steel lock ring, and strainer
- 110664**



1966-77 FORD BRONCO
AUXILIARY FUEL TANK SENDING UNIT

- Made with corrosion resistant stainless steel
 - Brass float just like the original
 - Includes rubber seal, stainless steel lock ring, and strainer
- 110665**



1966-77 FORD BRONCO
BATTERY TRAY

- Excellent reproduction of the original design
 - Die stamped steel, painted black
- 110557**



1966-69 FORD BRONCO
BATTERY HOLD-DOWN BRACKET

- Anti-corrosive vinyl plastisol coating
- 110522**



1966-77 FORD BRONCO
BATTERY HOLD-DOWN "J" BOLT SET

- Anti-corrosive coating
 - Sold in pair
 - Zinc plated
- 110523**



1966-77 FORD BRONCO
CHROME BRONCO EMBLEM

- Beautifully chrome plated with triple chrome plating process
 - Highly detailed bucking bronco
 - Approximately 3 1/2" wide x 2 1/8" tall
 - Double sided tape included
- 50130**



1966-77 FORD BRONCO
HEATER VENT

- Injection molded with high quality plastic
 - Has all of the original contour and mounting holes
- 110330**



1966-77 FORD BRONCO
HEATER BOX

- Accurate reproduction heater box
 - Features original style defroster duct selector
 - Original style speed nuts included for fan motor mounting
- 110329**

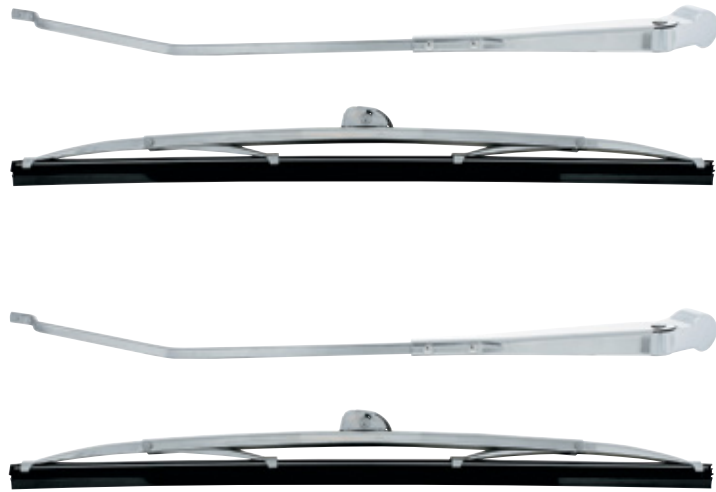


1966-77 FORD BRONCO
FRESH AIR VENT BOX

- Driver side air vent box with door
- Includes foam seals throughout the box like the factory original

110239
Air Vent Box Foam Gasket available separately
110095



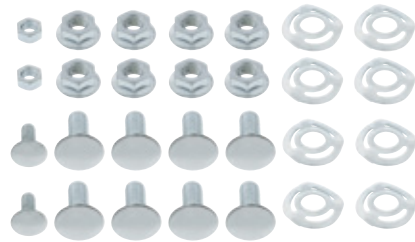


1966-77 FORD BRONCO
WIPER ARM & BLADE KIT

- Perfect upgrade for classic 1966-77 Ford Broncos
 - Polished stainless steel wiper arms with chrome plated shaft mounts
 - Kit includes two wiper arms and two 12" wiper blades
- 110299**

1966-77 FORD BRONCO
FRONT AND REAR CHROME BUMPER BOLT SET

- Polished stainless steel chrome plated
 - Includes washer and nut
 - Sold as a set
- 110536**



1966-77 FORD BRONCO
REAR WINDOW PROP

- Accurate reproduction of the steel rear window props with toggle latch mechanism as original
 - Bright zinc plated as original
 - Sold in pair
- 110399**



UNIVERSAL
7" 5 LED DUAL FUNCTION HEADLIGHT-BLACK

- 5 High power LED 7" headlight, Philips Lumileds
 - Reinforced aluminum reflector, rugged anti-vibration construction
 - Improved visibility with whiter light output that is closer to the color temperature of daylight
 - Sold individually
- 31289**



UNIVERSAL
7" 5 LED DUAL FUNCTION HEADLIGHT-CHROME

- 5 High power LED 7" headlight, Philips Lumileds
 - Reinforced aluminum reflector, rugged anti-vibration construction
 - Improved visibility with whiter light output that is closer to the color temperature of daylight
 - DOT and SAE compliant, sold individually
- 31391**





UNIVERSAL

7" HIGH POWER LED CRYSTAL HEADLIGHT-CHROME

- 11 High power LED 7" crystal headlight, SAE/DOT FMVSS108
- Impact resistant polycarbonate lens provides unparalleled protection from road hazards
- Improved visibility with whiter light output that is closer to the color temperature of daylight
- Die-cast aluminum housing provides maximum protection from the elements
- Sold individually

31355



UNIVERSAL

7" HIGH POWER LED CRYSTAL HEADLIGHT-BLACKOUT

- 11 High power LED 7" crystal headlight, SAE/DOT FMVSS108
- Impact resistant polycarbonate lens provides unparalleled protection from road hazards
- Improved visibility with whiter light output that is closer to the color temperature of daylight
- Die-cast aluminum housing provides maximum protection from the elements
- Sold individually

31353



UNIVERSAL

7" HIGH POWER LED PROJECTION HEADLIGHT WITH DUAL FUNCTION 60 LED HALO RING

- 7" Headlight: 2,700 lumen high beam and 1,200 lumen low beam
- Dual color white/amber auxiliary LED halo ring with amber automatic override feature
- Die-cast housing and polycarbonate lens provide maximum protection and durability
- Solid state design resists shock and vibration, IP67 weatherproof rating
- DOT and SAE compliant, sold individually

31496



UNIVERSAL

7" HIGH POWER LED HEADLIGHT WITH 10 LED DUAL-FUNCTION POSITION LIGHT BAR

- 3 High power 7W LEDs for exceptional performance
- 900 Lumen output on low and 1,600 lumen output on high
- White position light bar can be wired as daytime running light, amber position light bar can be wired as turn signal
- Easy installation, fits OEM housing, plugs into existing wiring harness
- DOT/SAE and FMVSS108 headlight compliant
- Sold individually

31513



UNIVERSAL

7" HIGH POWER LED HEADLIGHT WITH 10 AMBER LED DUAL-FUNCTION POSITION LIGHT BAR

- 3 High power 7W LEDs for exceptional performance
- 900 lumen output on low and 1,600 lumen output on high
- White position light bar can be wired as daytime running light, amber position light bar can be wired as turn signal
- Easy installation, fits OEM housing, plugs into existing wiring harness
- DOT/SAE FMVSS108 headlight compliant
- Sold individually

31514

UNIVERSAL

7" CRYSTAL HEADLIGHT W/ AMBER LED HALO RING

- 7" Crystal headlight with amber LED halo ring and 9007 bulb
- Reinforced multi-surfaced, aluminum reflector
- Sold Individually

31284



UNIVERSAL

7" CRYSTAL HEADLIGHT W/ WHITE LED HALO RING

- 7" Crystal headlight with white LED halo ring and 9007 bulb
- Reinforced multi-surfaced, aluminum reflector
- Sold individually

31285





UNIVERSAL

7" CRYSTAL HEADLIGHT WITH 34 AMBER AUXILIARY LED

- 34 amber LEDs with clear lens
 - Anti-vibration structural design with reinforced multi-surfaced aluminum reflector housing
 - H4/HB2/9003 halogen bulb: 12V 65/55W, replaces H6017/H6024
 - HB2/9003 DOT/SAE code: DOT SAE-HR1-01
 - Sold individually
- 31378**



UNIVERSAL

7" CRYSTAL HEADLIGHT WITH 34 WHITE AUXILIARY LED

- 34 white LEDs with clear lens
 - Anti-vibration structural design with reinforced multi-surfaced aluminum reflector housing
 - H4/HB2/9003 halogen bulb: 12V 65/55W, replaces H6017/H6024
 - HB2/9003 DOT/SAE code: DOT SAE-HR1-01
 - Sold individually
- 31379**

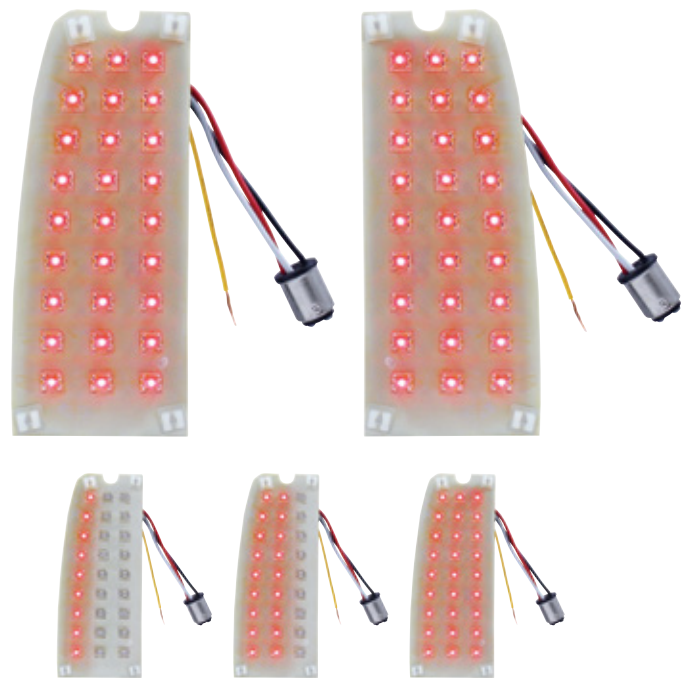


UNIVERSAL

7" HALOGEN SEALED BEAM HEADLIGHT

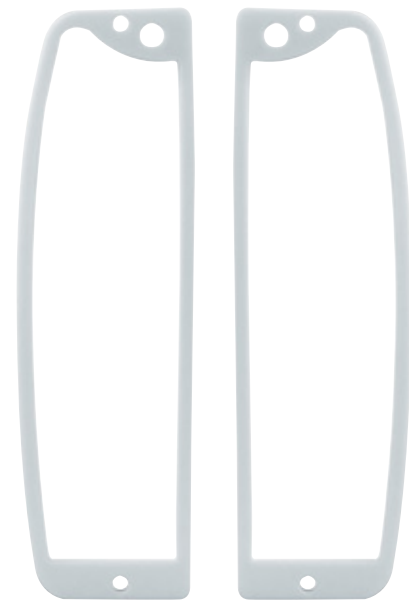
- 7" round sealed beam headlight by Wagner
 - 12 Volt, 60/35W, replaces halogen, H6014/H6024, high and low beam functions
 - Sold individually
- 30356**





1967-77 FORD BRONCO & 1967-72 FORD TRUCK
27 LED SEQUENTIAL TAIL LIGHT

- Super bright led circuit board installs behind existing lens
- Dual function with tail light & bright stop/turn signal
- Features sequential operation with selector switch to select sequential function ON/OFF
- Features sequential once brake attention function
- Easy electrical connection with 1157 plug, no modification to vehicle
- Requires United Pacific LED turn signal flasher, item # 90652
- Sold in pairs
- Non Sequential version also available item # FTL6772LED-PR 110497



1966-77 FORD BRONCO
TAIL LIGHT LENS GASKET

- Fits between tail light housing and lens
 - White foam rubber as original
 - Sold in pairs
- F677203**

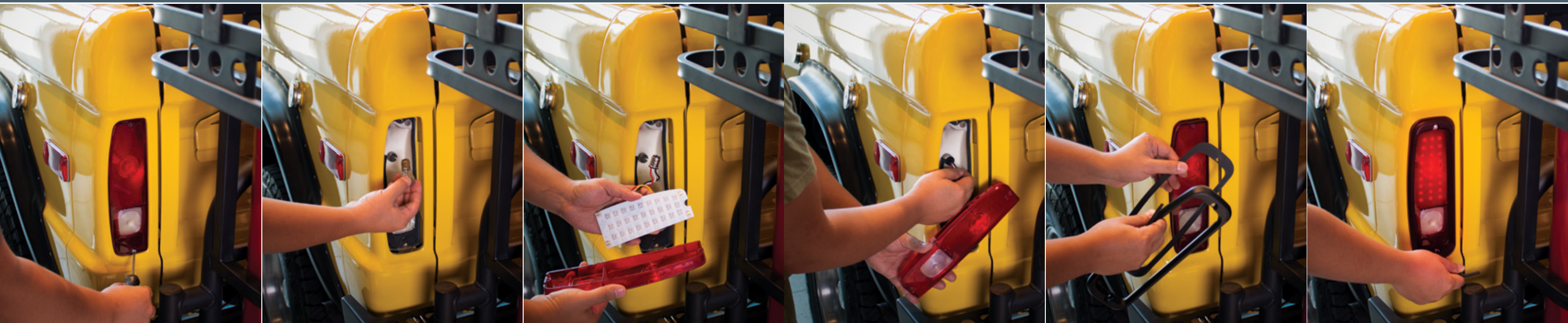


1966-77 FORD BRONCO
BILLET ALUMINUM TAIL LIGHT BEZELS

- CNC milled out of a single solid aluminum block
 - Durable anodized for a tough off-road look
 - Stainless steel extended length socket head screws included for use with original tail light lens mounting holes
 - Includes foam gaskets to prevent scratches to the tail light panel
 - Sold as set
- 110583 | CLEAR ANODIZED**
110584 | SATIN BLACK ANODIZED



SEQUENTIAL TAIL LIGHT & BILLET ALUMINUM TAIL LIGHT BEZEL UPGRADE



1. Unscrew and remove lens

2. Remove halogen bulb

3. Insert LED Upgrade Board onto Lens

4. Plug in Sequential Tail Light

5. Install Tail Light Lens Gasket and Bezel

6. Install complete

PRODUCT INDEX

ITEM #	PAGE #	ITEM #	PAGE #
30356	29	110354	18
31284	28	110355	18
31285	28	110356	15
31289	26	110357	15
31353	27	110364	11
31355	27	110365	11
31378	29	110366	20
31379	29	110367	20
31391	26	110368	20
31496	27	110369	12
31513	28	110370	15
31514	28	110371	15
50130	23	110372	15
110095	24	110373	15
110131	14	110385	13
110132	14	110397	13
110218	14	110398	13
110219	14	110399	25
110233	17	110460	7
110234	17	110461	8
110235	19	110462	8
110236	19	110463	11
110237	19	110464	11
110238	19	110465	9
110239	24	110466	9
110240	12	110474	18
110241	12	110475	18
110242	19	110476	17
110269	18	110477	17
110270	18	110478	16
110271	21	110479	16
110272	21	110482	9
110273	14	110497	31
110274	14	110502	14
110275	20	110504	19
110276	20	110509	17
110277	20	110510	17
110278	20	110511	17
110299	25	110512	17
110327	22	110515	9
110328	22	110522	23
110329	24	110523	23
110330	24	110535	12
110331	22	110536	9, 25
110332	21	110557	23
110333	21	110561	22
110334	21	110583	32
110335	21	110584	32
110336	18	110664	23
110349	13	110665	23
110350	21	F20012	16
110351	21	F20013	16
110352	16	F677203	31
110353	16		

