

ARKON[®]

The Mobile Mounting Specialists™



Mounting Solutions and Accessories for:
Smartphones | Tablets | Cameras | Fitness + Lifestyle

Product Catalog

Table of Contents

Company Statement	2
Tablets and Enterprise Solutions	3
Universal Tablet Mounts for 9"-12" Screen Size	4-5
Multi-Purpose Tablet Stands	6
GPS Lockbox for Tablets	7
Slim-Grip® Ultra™ Midsize Tablet and Smartphone Mounts	8-9
Mobile Grip 2 and Magnet Universal Smartphone Mounts	10-11
Armbands	12
Bike Mounts	13
Motorcycle Mounts	14
Mounts and Straps for GoPro® HERO® Cameras	15

Camera Mounts	16-17
Robust Mount Series	18-19
Heavy-Duty Mounting Pedestals	20
Multi-Use Mounting Pedestals	21-23
Universal Smartphone Holders	24
Tablet Holders	25
Adapter Plates and Spare Parts	26-27
Install Bay Essentials	28
GPS Mounts and Accessories	29
Trident Case	30
Retail Packaged Items	31

Arkon in 2015

Our Mission

After over 25 years in the industry, Arkon remains one of the leading brands in mobile mounting. Our offering of mounts, holders, and accessories is sold by distribution and resell partners in more than 40 countries.

The utilization of tablets and smartphones by consumers and businesses alike will expand in 2015. New applications fuel a growing demand for mounting solutions and accessories, particularly those that supply power or charging capabilities. Arkon continues its strong tradition of innovation with several new wire harnesses and bundled charging solutions.

We are committed to meeting and exceeding the product needs of consumers, whether they're on the road, at home, or enjoying the outdoors. We are passionate about providing the highest level of quality, service, and value to all of our customers and partners.

Product Update

For 2015, we've expanded our Robust Mount Series (see pages 18-19) for smartphones, tablets, and cameras. These mounts are tough, yet versatile. We have also added to our best-selling line of Mobile Grip 2 products (see page 10), and have added a new magnet mount line for smartphones. These low-profile and easy-to-use mounts are currently very popular with consumers.

Arkon's 2015 product catalog features 55 NEW products, including those for smartphones, cameras, action cameras, tablets, and more. We're launching an expanded assortment of air vent mounts (learn more about the options available on page 21). We've also improved the design of our Strap Mount for GoPro. The new, nearly indestructible single-piece buckle design is built to work under extreme conditions (see GP234 on page 15).

Arkon's entire line of mounts is compatible with the Trident Case Kraken A.M.S. Series of protective cases for smartphones and tablets (learn more about this unique combination on page 30).

We've partnered with GPS Lockbox to provide commercial-grade tablet mounting solutions for fleets and other vehicles (see page 7). Current bundles include a hard install or windshield mount solution for the Samsung Galaxy Tab 3 7.0 and Galaxy Tab 4 7.0.

Arkon's Commitment to Customers

Arkon stands behind the quality of its products and strives to ensure that customers have a positive user experience. Arkon provides a 2-year limited warranty on all our products.

Additional Marketing Resources

Customers and partners now have access to Arkon instruction manuals, product images, videos, and other marketing content through our comprehensive FTP site. Get the latest product information and company news by subscribing to our quarterly e-newsletter, *The Arkon Insider*. Check with your Arkon sales representative for more information.



TABSTAND4

The Right Mount for the Job

Tablets are being used in commercial environments everywhere including:

- Point of purchase areas in retail stores
- Patient information systems in medical and dental offices
- Textbook replacements in classrooms
- Logistics and navigation for fleet vehicles

Countertop mounts and holders for point of purchase areas, medical and dental offices, education, or other uses can be purchased in both locking and non-locking varieties. Both combination and key locks are available on pages 6 and 27.

For fleets, both locking and non-locking vehicle mounts are available for all tablet brands, including the Apple® iPad® and Samsung Galaxy Tab®. Through Arkon's strategic partnership with GPS Lockbox, locking tablet holders can be purchased in either hard install or windshield mount options. These are an ideal solution for delivery vehicles, limos, trolleys, buses, taxis, fleets, and more. Find out more about these solutions on page 7.



Seat Rail or Floor Mounts

TAB801

Heavy-Duty Aluminum
Seat Rail Mount with 22"
Adjustable Arm



Multiple brackets
included for
various seat rail
configurations

TAB188L22

Universal Seat Rail
or Floor Mount with 22"
Flexible Gooseneck



Also Available:
TAB-FSM
Universal Seat Rail
or Floor Mount with 18"
Flexible Gooseneck

C-Clamp Mounts

TABRM086

Robust Series Mount
with 6.5" Arm and
C-Clamp Base



C-Clamp Opening:
0.25"-2.5" (6mm-64mm)

TAB086

Heavy-Duty Mount
with 4" Arm
and Adjustable
C-Clamp Base



C-Clamp Opening:
0.25"-2.25" (6mm-57mm)

TAB085

Heavy-Duty Mount
with 4" Arm and
C-Clamp Base



C-Clamp Opening:
0.25"-1.5" (6mm-40mm)

TAB086-12

Heavy-Duty Mount with
12" Flexible Gooseneck and
Adjustable C-Clamp Base



C-Clamp Opening:
0.25"-2.25" (6mm-57mm)

TAB802

Heavy-Duty Aluminum Mount
with 22" Adjustable Arm and
C-Clamp Base



C-Clamp Opening:
0"-1.75" (45mm)

TAB804

Heavy-Duty
Aluminum Mount
with 10" Adjustable
Arm and C-Clamp
Base



C-Clamp Opening:
0"-1.5" (40mm)

Headrest Mounts

TAB3-RSHM

Universal Tablet Headrest Extension Mount



Mount extends 15" to 24" for multiple passenger viewing



TAB-RSHM

Universal Tablet Single-Seat Headrest Mount

Drill-Base Mounts

TABRMAMPS

Robust Series Mount with 6.5" Arm and 4-Hole Drill Base

NEW



TAB803

Heavy-Duty Aluminum Mount with 22" Adjustable Arm and 4-Hole Drill Base



Also Available:

TAB805

Heavy-Duty Aluminum Mount with 10" Adjustable Arm and 4-Hole Drill Base

TAB806

Heavy-Duty Aluminum Mount with 8" Multi-Angle Arm and 4-Hole Drill Base



Windshield or Dashboard Mounts

TABRM079

Robust Series Universal Sticky Suction Windshield or Dashboard Mount

NEW



6.5" Arm



TAB179

Sticky Suction Universal Windshield or Dashboard Tablet Mount



3" Articulating Arm



TAB-CM117

Universal Tablet Windshield Suction Extension Mount



Arm extends 14.5" to 18.5"



TAB-STAND2
with iPad

Stand up for Tablets

Arkon's tablet stands can be used in a variety of environments, including in the home, at work, or even on an airplane or boat. These tablet stands fit large tablets with 9"-12" screen size, including the Apple® iPad® 4, 3, and 2, iPad Air™ 2 and iPad Air™, Samsung Galaxy Tab® S 10.1, and Galaxy Note® Pro 12.2. These stands feature a Dual-T mounting configuration and are paired with Arkon tablet holders TAB001 or TAB003.

IPM-TAB1
Portable Desktop or
Travel Tablet Stand



Compact design
folds down into
7" x 1.25" x 1"



Folds into various
positions



Fits tablets with 7"
to 12" screen size

TABSTAND4
Heavy-Duty Tablet
Stand with
Weighted Base and
Telescoping Arm



NEW

Arm extends
7.5" to 9.75"

Weights 4.5 lbs.

TAB-STAND2
Countertop or Desktop
Tablet Stand with 10"
Arm and Weighted Base



Weights 1.7 lbs.

TAB-STAND1
Tablet Floor
Stand with
Extending Arm
and Weighted Base



Arm extends
2' to 4'

Weights 7.8 lbs.

TCMHD001
Heavy-Duty Seat Rail Tablet Combo Mount
with Keyboard Tray and 22" Adjustable Arm



Multiple brackets
included for
various seat rail
configurations



TAB134
Boat Helm Tablet
Mount with Zip-Tie
Style Quick-Release
Strap - Black

TAB134-W
Boat Helm Tablet
Mount with Zip-Tie
Style Quick-Release
Strap - White

SP-COMLK8KIT
8' Cable with
Combination Lock
and Adhesive
Adapter Plate



(More accessories
available on pages 26-27)

Fleet Protection

GPS Lockbox Ultra Pro 7 tablet mount kits are ideal for fleet vehicles:

- Available in hard install or windshield mount options
- Cutouts are provided on the holder for access to the tablet's camera, power button, and power outlet
- Custom fit tablet holder can be detached from the mount with a key lock (keys included)
- The lockbox features a hand strap for easy handling of the tablet outside of the vehicle

GPS Lockbox commercial-grade locking enclosures are available for 7-inch, 8-inch, and 10-inch tablets, including the Nexus 7, Samsung Galaxy Tab® 3 7.0 or Galaxy Tab® 4 7.0, Galaxy Tab® 8.0, and Galaxy Note™ 10.1. Holders can be customized for other devices upon request.



LBUP7-1 with Arkon's Robust Series Drill-Base Mount and Samsung Galaxy Tab® 4 7.0

LBUP7-1
GPS Lockbox Ultra Pro 7 Kit with Charging Harness



CALBP282



CALBP275

Includes:

- LBT165UP** - Tablet Enclosure with Key Lock
- RM2XAMPS-SH** - Robust Series Drill-Base Mount
- CALBP275** - Hardwire Kit | 2.1 Amp Charger
- CALBP282** - Micro USB Pigtail Tip
- SPLBIP401** - Install Kit



SPLBIP401

NEW

LBUP7-2
GPS Lockbox Ultra Pro 7 Kit with CLA Charging Bullet

NEW



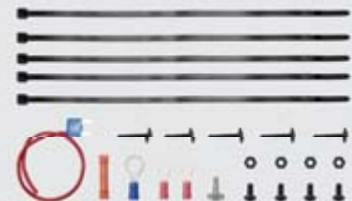
LBUP7-1 (above) is ideal for hard installs and features a commercial-grade locking tablet enclosure, heavy-duty drill base mount, and 2.1 milliamp charging system, which is designed to provide appropriate power to the tablet while not overcharging the battery. The pedestal includes a hex bolt and key, making it difficult to remove.

LBUP7-2 (left) is a great solution for fleet vehicles that prefer a windshield mount option. It features a commercial-grade locking tablet enclosure, heavy-duty windshield mount, and 2.2 Amp CLA bullet for easy charging. The tough, low-vibration windshield pedestal measures 6.5 inches high and is made of a combination of plastic and glass fiber.

Both LBUP7-1 and LBUP7-2 Ultra Pro 7 Kits are compatible only with the Samsung Galaxy Tab 3 7.0 or Tab 4 7.0.

CALBHWKIT
Universal Micro USB Tablet Charging Harness with 2.1 Amp with Fuse, Micro Tip, and Install Kit

NEW



Slim-Grip® Ultra™ Midsize Tablet and Smartphone Mounts

RM60802T

Robust Series Windshield or Dash Suction Mount

NEW

6.5" Arm



SM622

Travelmount® Deluxe Low-Vibration Windshield or Dash Mount with 5" Arm



SM668

Mini Windshield or Dashboard Sticky Suction Mount with 3" Arm



Mounts featuring the Slim-Grip® Ultra™ Universal Smartphone and Midsize Tablet Holder (SM6XX Series) fit all large smartphones and midsize tablets up to 6.75" tall, including the Apple® iPhone® 6 Plus, iPhone® 6, 5S, 5C, iPad mini™, Samsung Galaxy S® 5 and S® 4, Galaxy Note® 4 and Note® 3, Galaxy Tab® 3 7.0 and 8.0, Galaxy Note® 8.0, Motorola Moto G and Moto X, and Google Nexus 7. Included with the Slim-Grip Ultra spring-loaded holder are 8 support legs (4 short and 4 longer versions) that can be customized to ensure the right fit for your device, wherever you're mounting it.



SM679 with iPhone 6 Plus

360°

ROTATION

SM628

Multi-Angle Adhesive or Screw Mount for Dashboard or Console



1" tall

RM6AMP52T

Robust Series Drill-Base Mount

NEW

6.5" Arm



SM611

Sun Visor Mount

SM621

Lighter Socket Mount with Integrated 12V Power Dongle



7" Arm

SM634

Quick-Release Zip-Tie Style Handlebar Mount with Elastic Securing Strap



Fits handlebars 15mm to 50mm in diameter

Also Available:

SM632

Handlebar Mount with Elastic Securing Strap (See page 13)

NFC5M02

Intelligrip™ Programmable NFC Car Dock with 1 Amp Micro USB Charger



3" Articulating Arm

Also Available:

NFC5M01

Intelligrip™ Programmable NFC Car Dock

Slim-Grip® Ultra™

SM679
Deluxe Mini Windshield
or Dashboard Sticky
Suction Mount



RANKED #1
by Auto Express
Magazine in 2014
Smartphone Holder
Group Test
AutoExpress.co.uk



RSM679
Retail-Packaged
Version



SM6HM3

SM6RSHM
Universal Single-Seat
Headrest Mount



SM6HM3
Universal Headrest Extension Mount



SM6-CM117
Rigid Extension Windshield Suction
Mount with Telescoping Arm



SM688L22
Universal Seat Rail or Floor Mount with 22"
Flexible Aluminum Gooseneck



Also Available:

SM688
Universal Seat Rail or Floor Mount with 18"
Flexible Aluminum Gooseneck

SM612
Friction Dashboard Mount with
Optional Adhesive Safety Anchor



SM623-G
Cup Holder Mount
with 5" Flexible
Gooseneck



Mobile Grip 2 Universal Smartphone Mounts

Mobile Grip 2 mounts (MG2XX Series) fit all smartphones up to 3.6" wide, including the Apple® iPhone® 6 Plus, iPhone® 6, 5S, 5C, Samsung Galaxy S® 5 and S® 4, Galaxy Note® 4 and Note® 3, Motorola Moto G, and Moto X. The holder is 1.4" tall and is ideal for those who prefer a smaller profile mount. Its simplistic yet effective design keeps rear smartphone cameras free for spontaneous pictures or videos, as well as charging ports and volume controls.



MG279 with iPhone 6 Plus

MG222
Travelmount® Deluxe
Low-Vibration Windshield or
Dashboard Suction Mount
with 5" Arm



MG268
Mini Windshield Sticky
Suction Mount with 3" Arm



MG215
Travelmount® Mini
Windshield or Dash
Mount with 3" Arm



MG295
Lighter Socket Mount with 5" Flexible
Gooseneck and USB 5V 1 Amp Charge Port



MG223
Cup Holder Mount with
5" Flexible Gooseneck



MG288
Seat Rail or Floor Mount with
15" Flexible Gooseneck



MG279
Deluxe Mini Windshield or Dash Sticky Suction Mount

3" Articulating Arm



RMG279
Retail-Packaged Version



Mobile Grip 2 Universal Smartphone Holder



Holder height: 1.4" (32mm)
Holder width: .88" (19mm)
Min. device width: 2.4" (57mm)
Max. device width: 3.6" (89mm)

Compatible with all smartphones (even those with ruggedized cases) up to 3.6" wide.



LOW PROFILE

Easy access to rear cameras, charging ports, and volume controls



VERSATILE

Remove the cord catcher to reveal a 1/4"-20 threaded pattern for use on all standard tripods

MG21420
Mobile Grip 2 Universal Smartphone Holder with 1/4"-20 Tripod Adapter



Features a swivel ball



Magnet Smartphone Mounts

Arkon's new magnet mounts make it easy to attach and detach your smartphone. Adhere a metal plate to your device or case. The mount's built-in magnet head functions like a holder and attaches to the metal plate. Choose from a sticky suction windshield or dash mount, air vent mount, charging mount, or adhesive mount.



MAG179
Sticky Suction Dash or Windshield Magnet Mount

NEW



3" Articulating Arm

Includes two metal plates with adhesive

MAG195
Lighter Socket Magnet Mount with 5" Flexible Gooseneck and USB 5V 1 Amp Charge Port

NEW



MG210
Flat-Surface Mini Adhesive Mount



MAG157
Removable Air Vent Magnet Mount

NEW



Includes support leg

Clips into air vent

360-degree rotation

MAG1057
Removable Air Vent or Adhesive Magnet Mount Bundle

NEW



Includes two metal plates with adhesive



Keep Moving

Arkon's armbands are made of stretchable, sweat-resistant neoprene and feature reflective safety strips. A touch-compatible plastic cover enables operation of the smartphone's screen. Also included is a small storage pouch that's perfect for ID, money, or a key. Cutouts on both the top and bottom of the pouch provide flexibility for headphone jack access – all to help keep you moving and never lose a beat.

ARMBAND6

Armband Holder for Apple® iPhone® 6 Plus, Samsung Galaxy Mega™, Galaxy Note® 4, Note® 3, Note® 2, Google Nexus 6, and Smartphones up to 6.3" Screen Size or 6.5" Height



ARMBAND5

Armband Holder for Apple® iPhone® 6 with Case, Samsung Galaxy S®5, HTC One M8, Galaxy Note® 4 and Note® 3, LG Nexus 5 and G2, Droid™ MAXX, and Smartphones up to 5.3" Screen Size or 5.5" Height



XXL-ARMBAND

Armband Holder for Apple® iPhone® 6, Samsung Galaxy S®3/III, Motorola Moto™ X, LG Optimus G, Droid™ RAZR MAXX, and Smartphones up to 4.8" Screen Size or 5.5" Height



Also Available:

XL-ARMBAND

Armband Holder for Apple® iPhone® 5S, iPhone® 5C, and Smartphones up to 4.3" Screen Size or 5.0" Height

SM-ARMBAND

Armband Holder for Apple® iPhone® 4S, iPhone® 4, iPhone® 3GS, iPod touch® 3.5", and Smartphones up to 4.0" Screen Size or 4.5" Height

XXL-WRIST

Forearm Holder for Apple® iPhone® 6, iPhone® 5 with Case, Samsung Galaxy S®3/III, Motorola Moto™ X, LG Optimus G, Droid™ RAZR MAXX, and Smartphones up to 4.8" Screen Size or 5.5" Height



Armband Features:

Sweat-Resistant, Stretchable and Adjustable Band

Reflective Strip

Audio Port Slit

Reflective Strip



SM434

Handlebar Mount with Mega Grip Universal Smartphone Holder and Elastic Securing Strap

Fits handlebars 15mm to 50mm in diameter



SM632

Bicycle and Motorcycle Handlebar Mount with Elastic Securing Strap

Fits handlebars up to 33mm in diameter

Elastic securing strap wraps around smartphone for added stability and protection while riding



Also Available:

SM634

Quick-Release Zip-Tie Style Handlebar Mount (See page 8)

SM432

Handlebar Mount with Mega Grip Universal Smartphone Holder and Elastic Securing Strap

Fits handlebars up to 33mm in diameter

Elastic securing strap wraps around smartphone for added stability and protection while riding



GPS032

Handlebar Mount with Water-Resistant GPS Holder

Fits handlebars up to 33mm in diameter

Compatible with 4.3" screen size GPS

Also Available:

SMWPCS532 / GPSWPCS532

Handlebar Mount with Water-Resistant Smartphone or 5" GPS Holder

SM032

Handlebar Mount with Water-Resistant Smartphone Holder

Fits handlebars up to 33mm in diameter

Compatible with 4.6" screen size devices



SMWPCS534 / GPSWPCS534

Zip-Tie Style Handlebar Mount with Water-Resistant Smartphone or GPS Holder

Fits handlebars 15mm to 50mm in diameter

Compatible with smartphones and 5" GPS devices up to 5.95" x 3.12" x .5"



Protection on the Move

Arkon's water-resistant handlebar mounts fit bicycle and motorcycle handlebars up to 33mm in diameter and are compatible with most straight, drop, trekking, touring, and standard handlebars. These mounts can also be used on boat helms, golf carts, ATVs, snowmobiles, hang gliders, or other apparatus with cylindrical frames or posts. Water-resistant cases feature a touch-compatible clear plastic cover that enables operation of the device's screen.

Motorcycle Mounts

MC2B5WPCS

Premium Motorcycle Mount with Water-Resistant Smartphone or GPS Case - Black Aluminum



Fits handlebars 30mm to 40mm in diameter

Also Available:

MC2C5WPCS

Premium Motorcycle Mount with Water-Resistant Smartphone or 5" GPS Case - Chrome Aluminum



MC2BSBH

Premium Motorcycle Mount - Black Aluminum

Fits handlebars 30mm to 40mm in diameter



MC2CSBH

Premium Motorcycle Mount - Chrome Aluminum

Fits handlebars 30mm to 40mm in diameter



SM5VHB

Adhesive Motorcycle Tank Smartphone Mount



Also compatible with 5" screen size GPS devices up to 5.95" x 3.12" x .5"

Also Available:

SM-VHB

Adhesive Motorcycle Tank Smartphone Mount
Compatible with 4.6" screen size devices

GPS-VHB

Adhesive Motorcycle Tank GPS Mount



Compatible with 4.3" screen size GPS devices up to 5.5" x 3" x .5"

GPCMPMC

Premium Aluminum Motorcycle Handlebar Camera Mount



Fits handlebars 25mm to 35mm in diameter

Hit the Road with Arkon

Mount a smartphone or camera to your motorcycle's handlebars or seatposts, or use our tough adhesive mounts for mounting directly onto your tank. Water-resistant cases feature a touch-compatible clear plastic cover to protect your device from the elements.





Fits handlebars
15mm to 50mm
in diameter

NEW

Capture The Action With The Right Mount

Arkon's mounts and straps for GoPro® cameras are compatible with the GoPro® HERO®4, HERO®3+, HERO®3, HERO®2, and HERO® action cameras.

GP234
Handlebar or Roll Bar
Zip-Tie Style Removable
Strap Mount for GoPro® HERO®

Arkon's GP234 handlebar mount features a nearly indestructible buckle design that's built to work under extreme conditions. It's a versatile camera mount you can use to easily capture photos or video on your motorcycle or bike ride.

GPROTRI
Flexible Mini Tripod
for GoPro® HERO®

NEW



7.5" tall

Also Available:
GPROTRIXL
11" Flexible Tripod
for GoPro® HERO®

GPCAMCHST
Chest Strap Mount for
GoPro® HERO® and
Small Action Cameras



Also Available:
GPCAMHD
Helmet or Head
Strap Mount for
GoPro® HERO®

GP179
Sticky Suction
Windshield or Dashboard
Mount for GoPro® HERO®

3" Articulating Arm



GP198
Sticky Suction Modular
Windshield or Dashboard
Mount for GoPro® HERO®

Extension arm
increases height
from 3.5" to 7"



GPCMPMC
Aluminum Motorcycle
Handlebar Mount for
GoPro® HERO®

Fits handlebars
25mm to 35mm
in diameter



GP132
Bicycle or Motorcycle
Handlebar Mount for
GoPro® HERO®

Fits handlebars
up to 33mm in
diameter



AP17MM-GP
GoPro® HERO® Mount
Connection to 17mm
Ball Adapter

NEW



SP-GP-SCREW
Screw and Acorn Nut
for GoPro® HERO®
Mount Connection



SP-SB-GPLAT
17mm Ball Mount Connection
Adapter for GoPro® HERO®



SP25MMGP
25mm Ball to GoPro®HERO®
Mount Connection Adapter

NEW



SP-1420-SCREW
1/4"-20 to GoPro® HERO®
Mount Connection
Adapter



SPGP1420
GoPro® HERO® Mount
Connection to 1/4"-20
Camera Adapter



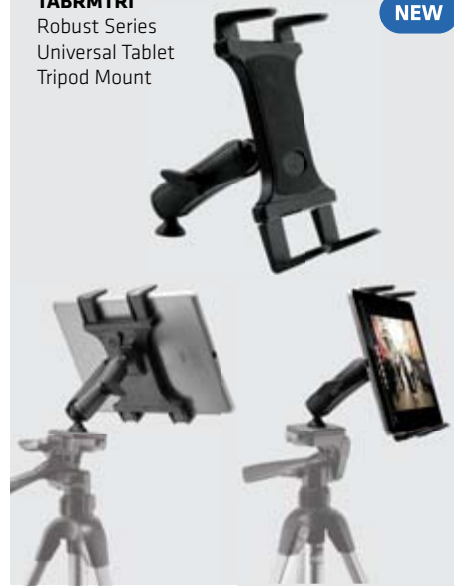


Heavy-Duty Tripod Mounts

- TAB086** - Heavy-Duty Mount with 4" Arm and Adjustable C-Clamp Base
- TAB085** - Heavy-Duty Mount with 4" Arm and C-Clamp Base
- IPA085** - Apple® iPad Air™ Mount with 4" Arm and C-Clamp Base
- IPARM086** - Apple® iPad Air™ Robust Mount with C-Clamp Base
- IPM3-085** - Apple® iPad® 4 3 2 Mount with 4" Arm and C-Clamp Base
- IPM3-086** - Apple® iPad® 4 3 2 Mount with 4" Arm and Adjustable C-Clamp Base
- TABPB086** - Heavy-Duty Tablet Mount with C-Clamp Base

TABRMTRI
Robust Series
Universal Tablet
Tripod Mount

NEW



CMPTRI
Flexible Mini Tripod



7.5" tall

Connects to a standard
1/4"-20 tripod adapter

CMPTRIXL
Flexible 11" Tripod

NEW



11" tall

MG2TRI
Mobile Grip 2 Universal
Smartphone Holder with
Flexible Mini Tripod



7.5" tall

Also Available:

MG2TRIXL
11" Tripod with Mobile Grip 2
Universal Smartphone Holder

GPCMPMC
Aluminum Motorcycle
Handlebar Mount



Fits handlebars
25mm to 35mm
in diameter

MG21420
Mobile Grip 2 Universal Smartphone
Holder with 1/4"-20 Tripod Adapter



Features a swivel ball for
maximum adjustability

MC2CCAM / MC2BCAM
Premium Motorcycle Handlebar Camera
Mount - Chrome or Black Aluminum



Fits handlebars
30mm to 40mm
in diameter

RM0791420

Robust Series Windshield or Dash Sticky Suction Mounting Pedestal with 1/4"-20 Camera Head

NEW



6.5" Arm

Also Available:

RM0801420

Robust Series Windshield Suction Mounting Pedestal with 1/4"-20 Camera Head

RM0861420

Robust Series C-Clamp Mounting Pedestal with 1/4"-20 Camera Head

NEW



6.5" Arm

C-Clamp Opening:
0.25"-2.5" (6mm-64mm)

RMAMPS1420

Robust Series 4-Hole AMPS Mounting Pedestal with 1/4"-20 Camera Head

NEW



6.5" Arm

CMP179

Sticky Suction Windshield or Dashboard Camera Mount



3" Articulating Arm

CMP186-12

Camera Mount with 12" Flexible Gooseneck and C-Clamp Base



C-Clamp Opening:
0.25"-2.25"
(6mm-57mm)

CMP198

Sticky Suction Modular Windshield or Dashboard Camera Mount



Extension arm increases height from 3.5" to 7"

CMP227

Bicycle or Motorcycle Handlebar Camera Mount



Fits handlebars up to 33mm in diameter

CMP134

Handlebar or Roll Bar Zip-Tie Style Removable Strap Camera Mount



Fits handlebars 15mm to 50mm in diameter

CMPHD006

Heavy-Duty Aluminum Camera Mount with 8" Multi-Angle Arm and 4-Hole AMPS Drill Base



Robust Mount Series

Arkon introduces the Robust Mount Series, a line of tough, low-vibration pedestals made of a combination of plastic and glass fiber with 360° swivel on both the top and the bottom. Suction mounting pedestals feature an 80mm suction base that works well in all climates and are ideal for car windshields.

Install the Robust Series C-clamp mounts onto desks, carts, worktables, benches, lecterns, or other table-like surfaces. The C-clamp base maintains a firm grip and opens as wide as 2.5 inches and closes as tight as .25 inches.



RM0791420

Suction Mounting Pedestals

RM080AMPS

80mm Windshield Suction Mounting Pedestal with 4-Hole AMPPS Head



6.5" Arm

RM0792TWD

Sticky Suction Windshield or Dash Mounting Pedestal with Dual-T Head

NEW



6.5" Arm



RM0802T

80mm Windshield Suction Pedestal with Dual-T Head



6.5" Arm

C-Clamp Mounts

TABRM086

Tablet Mount with Adjustable C-Clamp Base

NEW



6.5" Arm

C-Clamp Opening:
0.25"-2.5"
(6mm- 64mm)

IPARM086

iPad Air™ Mount with Adjustable C-Clamp Base

NEW



6.5" Arm

C-Clamp Opening:
0.25"-2.5"
(6mm- 64mm)

Not for use with iPad Air 2

RM0862T

Heavy-Duty Mounting Pedestal With 4" Adjustable Arm and C-Clamp Base

NEW



6.5" Arm

C-Clamp Opening:
0.25"-2.5"
(6mm- 64mm)



RM0861420

Robust Series AMPS pedestals can be drilled into solid, flat surfaces, such as walls, tables, and workbenches. The pedestal is compatible with devices having a 4-Hole AMPS pattern, including cameras, GPS devices, or satellite radios. This tough mounting pedestal is also ideal for mobile radio holders, housings, and other devices used by public safety, construction, and utility applications.

Spare parts and accessories for the Robust Mount Series are also available for mounting cameras and other devices.

AMPS or Drill-Base Mounting Pedestals

RMAMPS2T
4-Hole AMPS
Mounting Pedestal
with Dual-T Head



6.5" Arm

RMS2XAMPS
Small 4-Hole AMPS
Mounting Pedestal with
4-Hole AMPS Head

NEW



2.75" Arm

RM2XAMPS
4-Hole AMPS
Mounting Pedestal with
4-Hole AMPS Head



6.5" Arm

RM2XAMPS-SH
Heavy-Duty 4-Hole AMPS
Mounting Pedestal with
4-Hole AMPS Head

NEW



6.5" Arm

Includes
hex head bolt
and hex key
for added security

Robust Mount Parts and Accessories

ALL NEW

APAMPS25MM
4-Hole AMPS to 25mm
Rubber Ball Adapter



SP25MM4P
25mm Coated Ball to
4-Prong Adapter



APRM2T
25mm Ball to Dual-T
Adapter



SP25MMCAM
25mm Ball to 1/4"-20
Camera Head Adapter



SP142025MM
1/4"-20 Threaded Camera
Pattern to 25mm Ball
Adapter



SP25MM17
25mm Coated Ball to
17mm Ball Adapter



SP25MMGP
25mm Ball to GoPro® HERO®
Lateral Prong Pattern



Heavy-Duty Mounting Pedestals

C-Clamp Mounting Pedestals

GN085-SBH

Mounting Pedestal with 4" Arm and C-Clamp Base



C-Clamp Opening:
0.25"-1.5" (6mm-40mm)

GN086-SBH

Mounting Pedestal with 4" Adjustable Arm and C-Clamp Base



C-Clamp Opening:
0.25"-2.25"
(6mm-57mm)

GN086-12-SBH

Aluminum Desk or Cart Mounting Pedestal with 12" Flexible Gooseneck and C-Clamp Base



C-Clamp Opening:
0.25"-2.25" (6mm-57mm)

HD002

Aluminum C-Clamp Desk or Cart Pedestal with 22" Adjustable Arm



C-Clamp Opening:
0"-1.75" (45mm)

HD004

Aluminum Mounting Pedestal with 10" Adjustable Arm and C-Clamp Base



C-Clamp Opening:
0"-1.5" (40mm)

Seat Rail Pedestals

HD001

Aluminum Seat Rail Mounting Pedestal with 22" Adjustable Arm



Brackets are included for various seat rail configurations

Drill-Base Mounting Pedestals

HD003

4-Hole Drill-Base Aluminum Mounting Pedestal with 22" Adjustable Arm



Also Available:
HD003-AMPS
HD003 with AMPS Head

HD005

Aluminum Mounting Pedestal with 10" Adjustable Arm and 4-Hole Drill Base



Also Available:
HD005-AMPS
HD005 with AMPS Head

HD006

Multi-Angle Aluminum Mounting Pedestal with 8" Adjustable Arm and 4-Hole AMPS Drill Base



Also Available:
HD006-AMPS
HD006 with AMPS Head

GN047-SBH

Removable Air Vent Mounting Pedestal

Improved air vent clips



GN057-SBH

Removable Air Vent Mounting Pedestal

NEW

Spring-loaded clip secures to vent louver



Support Leg

GN034-SBH

Quick-Release Zip-Tie Style Handlebar or Roll Bar Mount

Fits handlebars 15mm to 50mm in diameter



Also Available:

GN034-SBH-W
Quick-Release Zip-Tie Style Handlebar or Roll Bar Mount - White



CM011-2

Sun Visor Mounting Pedestal

Holder not included



GN095-SBH

Lighter Socket Mounting Pedestal with 5" Flexible Gooseneck and USB 5V 1 Amp Charge Port



Also Available:

GN097-SBH

Lighter Socket Mounting Pedestal with Integrated Power Dongle

GN097-2-USB

Lighter Socket Mounting Pedestal with Mini USB Charging Cable (5V, 800mA)



GN032-SBH

Bicycle or Motorcycle Handlebar Mounting Pedestal



Fits handlebars up to 33mm in diameter

HM002-SBH

Single-Seat Headrest Mounting Pedestal



Fits 2-post headrests

GN033-SBH

Cup Holder Mounting Pedestal with 5" Flexible Gooseneck



HM003-SBH

Headrest Extension Mounting Pedestal



Arm extends 15" to 24" for multiple passenger viewing

Multi-Use Mounting Pedestals

Mount Your Device Anywhere

Arkon's variety of smartphone and tablet pedestals for the car, home, and office can be used with any Arkon holder featuring the Dual-T configuration (adapters are also available). Holders can be found on page 24-25.

Using a powerful combination of polyurethane gel and suction to provide a maximum surface bond, Arkon's sticky suction mounts work on nearly any flat surface. These mounts are also easily removable and reusable. The suction pad can be washed with a mild liquid soap and warm water and then air dried to restore the suction.



GN088-L22-SBH

GN079WD-SBH

Sticky Suction 70mm Mounting Pedestal with 3" Articulating Arm



CM078WD-SBH

Sticky Suction 80mm Mounting Pedestal with 3" Articulating Arm



GN068WD-SBH

Sticky Suction 70mm Mounting Pedestal with 3" Arm



CM017-KST-25H

5" Robust Base Windshield 80mm Suction Pedestal



GN0794PWD

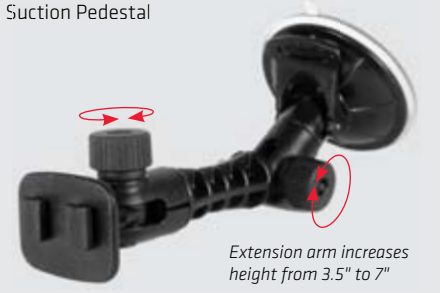
Sticky Suction 70mm Mounting Pedestal with 3" Articulating Arm for HR iGRIP® Holders



NEW

MP070-7PS-2

Modular Windshield Suction Pedestal



Extension arm increases height from 3.5" to 7"

GN014-SBH

Travelmount® Deluxe Mini Windshield Suction Pedestal



3" Articulating Arm

GN015-SBH

Travelmount® Mini Windshield Suction Pedestal



3" Arm

GN022-SBH

Travelmount® Deluxe Low-Vibration Windshield Suction Pedestal with 5" Arm



CM048-2

Adhesive Dashboard or Flat-Surface Mount with 1" Multi-Angle Arm and Optional Drill Base



GN016-SBH

2.5" Travelmount® Adhesive or Optional Drill-Base Mount



GN010-SBH

Mini Adhesive Flat-Surface or Computer Monitor Mount with 1.5" Base and Optional Drill Base



CM117-SBH

Long Windshield Suction Pedestal with Telescoping Arm



Arm extends 14.5" to 18.5"

SM012

Mini Friction Dashboard Mount with Optional Safety Anchor



Weights 1.4 lbs.

HMPHG01

Multi-Purpose Bag Hanger Headrest Mount



Keeps purses/bags off car floor and within reach

Also Available:

CM012

Friction Dashboard Mount with Optional Safety Anchor
Weights 2.1 lbs.

SDP001

Circular Polyurethane Sticky Dashboard Pad

HD008

Heavy-Duty Mounting Pedestal with Weighted Base and Telescoping Arm

NEW



Arm extends 7.5" to 9.75"

Weights 3.4 lbs.

GN088-L22-SBH

Aluminum Seat Rail or Floor Mount with 22" Flexible Gooseneck

Also Available:

GN088-SBH

Aluminum Seat Rail or Floor Mount with 18" Flexible Gooseneck



Recommended for trucks or vans

Universal Smartphone Holders

Mobile Grip 2



MG002WR

Mobile Grip 2 Universal Smartphone Holder (Included in Arkon MG2xx bundles)

Holder height: 1.4" (32mm)
Holder depth: .75" (19mm)
Min. device width: 2.4" (57mm)
Max. device width: 3.6" (89mm)

The Mobile Grip 2 Universal Smartphone Holder fits on all Arkon 17mm ball mounting pedestals (not included, sold separately) and features a spring-loaded mechanism that expands to fit all smartphones (even those with skins and ruggedized cases) up to 3.6" wide, including the Apple® iPhone® 6 Plus, iPhone® 6, 5S, 5C, Samsung Galaxy Note® 4 and Note® 3, Galaxy S®5 and S®4, Google Nexus 6 and Nexus 5, HTC One M8 and One Max, Nokia Lumia 1520 and 1020, Motorola Moto™ G and Moto™ X. The holder also fits midsize (7"-8") tablets, including Galaxy Tab® 4 7.0 and 8.0, Galaxy Note® 8.0, iPad® mini™ 3, 2, and 1, Google Nexus 7, and Kindle Fire HD.

Its low-profile design does not obstruct smartphone cameras, ports, or buttons, and features an industry-standard 1/4"-20 threaded camera mounting pattern for use directly on tripods.

Slim-Grip® Ultra™



SM060-2

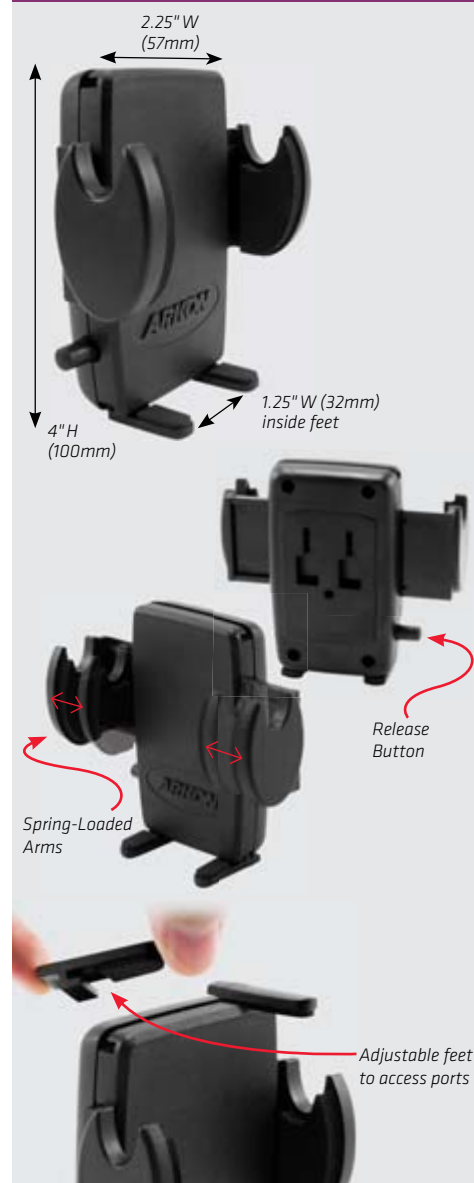
Slim-Grip® Ultra™ Universal Smartphone Holder (Included in Arkon SM6xx bundles)

Holder height: 4.25" (108mm)
Max. extension: 6.0" (152mm)
Holder height, long legs: 5.5" (140mm)
Max. extension, long legs: 7.5" (190mm)

The Slim-Grip® Ultra™ Universal Smartphone Holder is compatible with large smartphones up to 6.75" tall, including the Apple® iPhone® 6 Plus, iPhone® 6, 5S, 5C, Samsung Galaxy Note® 4 and Note® 3, Galaxy S®5 and S®4, Google Nexus 6 and Nexus 5, HTC One M8 and One Max, Nokia Lumia 1520 and 1020, Motorola Moto™ G and Moto™ X. The holder also fits midsize (7"-8") tablets, including Galaxy Tab® 4 7.0 and 8.0, Galaxy Note® 8.0, iPad® mini™ 3, 2, and 1, Google Nexus 7, and Kindle Fire HD.

Included with the spring-loaded holder are 8 adjustable support legs (4 short and 4 long versions) that can be customized based on device size.

Mega Grip



SM040-2

Mega Grip Universal Smartphone Holder (Included in Arkon SM4xx bundles)

Holder Height: 4" (100mm)
Holder depth: 1" (25mm)
Side grip arms, closed: 2.25" (57mm)
Side grip arms, opened: 3.5" (90mm)

The Mega Grip Universal Smartphone Holder accommodates all smartphones (even those with skins and ruggedized cases) up to 3.5" wide with no height restrictions, including the Apple® iPhone® 6 Plus, iPhone® 6, 5S, 5C, Samsung Galaxy Note® 4 and Note® 3, Galaxy S®5 and S®4, Google Nexus 6 and Nexus 5, HTC One M8 and One Max, Nokia Lumia 1520 and 1020, Motorola Moto™ G and Moto™ X.

The Mega Grip holder's side arm technology provides a strong hold and is easy to use. Close the arms to lock the phone in place. A push of the holder's side button releases the phone.

Slim-Grip®

TAB001

Slim-Grip® Universal Tablet Holder
(Included in Arkon TABxxx bundles)

Holder height: 6.75" (170mm)
Holder width: 4.6" (117mm)
Max. extension: 7.75" (192mm)
Holder height, long legs: 7.5" (216mm)
Max. extension, long legs: 8.5" (210mm)

Compatible with all 9"-12" screen size tablets, including the Apple® iPad Air™ 2, iPad Air™, iPad® 4, 3, and 2, Samsung Galaxy Note® 10.1, Galaxy Tab® Pro 10.1, Galaxy Tab® S 10.1, Galaxy Tab® 4 10.1, Galaxy Note® Pro 12.2, and Galaxy Tab® Pro 12.2, Kindle Fire HD and HDX 8.9, ASUS MeMo Pad Smart 10, Google Nexus 9, and Nexus 10.



Custom Fit

IPM3-CFH

Custom Fit Holder for Apple® iPad® 4, 3, and 2
(Included in Arkon IPM3xx bundles)

Holder height: 9.60" (244mm)
Holder width: 7.5" (190.5mm)



Dual T-Slot access on backside

Also Available:
IPA-CFH
 Custom Fit Holder for Apple® iPad Air™

Holder height: 9.60" (244mm)
Holder width: 6.83" (173.5mm)

Not for use with iPad Air 2

Push Button

TAB003

Universal Tablet Push-Button Holder
(Included in Arkon TABPBxxx bundles)

Holder height: 6.0" (152mm)
Holder width: 4.6" (117mm)
Max. extension: 8.3" (211mm)

Compatible with nearly all tablets and eReaders with 9"-12" screen size

Also Available: **TABPB023** 6.0" H (152mm)
 Cup Holder Tablet Mount

TABPB070
 Windshield Suction Tablet Mount with 7" Arm

TABPB078
 Sticky Suction Windshield or Dashboard Tablet Mount

TABPB086
 Tablet Mount with 4" Arm and Adjustable C-Clamp Base

TABPB088
 Aluminum Seat Rail Tablet Mount with 18" Flexible Gooseneck

TABPB117
 Windshield Suction Tablet Mount with Telescoping 14.5" to 18.5" Arm

TABPB88L22
 Aluminum Seat Rail or Floor Tablet Mount with 22" Flexible Gooseneck



Slim-Grip® Ultra™

SM060-2

Slim-Grip® Ultra™ Universal Midsize Tablet Holder
(Included in Arkon SM6xx bundles)

Holder height: 4.25" (108mm)
Max. extension: 6.0" (152mm)
Holder height, long legs: 5.5" (140mm)
Max. extension, long legs: 7.5" (190mm)

Fits (7"-8") tablets up to 6.75" tall, including Galaxy Tab® 3 (7.0 and 8.0), Galaxy Note® 8.0, iPad mini™, Google Nexus 7, and Kindle Fire HD.

Included with the spring-loaded holder are 8 adjustable support legs (4 short and 4 long versions) that help keep any side buttons and ports unobstructed.



Adapter Plates and Spare Parts

Arkon's extensive selection of high-quality adapter plates and spare parts allow you to mix and match holders and pedestals for alternative uses. Convert a dashboard smartphone mount into a GoPro® HERO® mount, or convert a smartphone mount for use on a tripod. The possibilities are endless.

Adhesive Disks

AP013

80mm Adhesive Disk

Also Available:

AP020

90mm Adhesive Disk

AP036

70mm Adhesive Disk

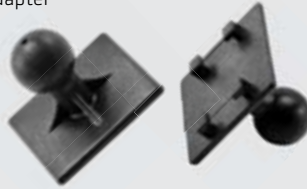


Swivel Ball Adapters

SP20MM4P

20mm Ball to 4-Prong HR iGRIP® Adapter

NEW



For use with Arkon Heavy-Duty Mounting Pedestals (See page 20)

AP2T17MM

Dual T-Slot to 17mm Ball Adapter



AP20MM2T

20mm Ball to Dual T-Tab Adapter

NEW



SP25MM4P

25mm Ball to 4-Prong HR iGRIP® Adapter

NEW



For use with Arkon Robust Mount Series (See pages 18-19)

SP25MM17

25mm Ball to 17mm Ball Adapter

NEW



For use with Arkon Robust Mount Series (See pages 18-19)

SP142025MM

1/4"-20 Threaded Camera Pattern to 25mm Ball Adapter

NEW



APAMPS25MM

25mm Ball to 4-Hole AMPS Adapter

NEW



For use with Arkon Robust Mount Series (See pages 18-19)

APAMPS17MM

4-Hole AMPS to 17mm Ball Adapter



APRM2T

25mm Ball to Dual T-Tab Adapter

NEW



For use with Arkon Robust Mount Series (See pages 18-19)

SP-20MCAM

20mm Ball to 1/4"-20 Camera Screw Mount Adapter



For use with Arkon Heavy-Duty Mounting Pedestals (See page 20)

SP25MMCAM

25mm Ball to 1/4"-20 Camera Head Adapter

NEW



For use with Arkon Robust Mount Series (See pages 18-19)

AP142017MM

1/4"-20 Camera Tripod Bolt to 17mm Ball Adapter

Use on tripods with Mobile Grip Universal Smartphone Holders (Sold separately)



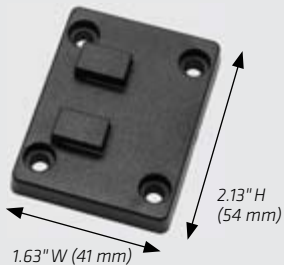
SP-SLMTAB

Slim-Tab™ Ultra-Thin Adhesive Connect Mounting Head

Dual-T to AMPS Adapters

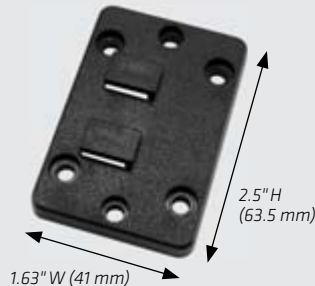
AP032SM

Horizontal Male Dual T-Tab to 4-Hole Narrow AMPS Adapter



AP032

Horizontal Male Dual T-Tab to 4-Hole Wide AMPS Adapter



Handlebar Mount Securing Straps

AP2TSTRAP

Dual T-Slot to Dual T-Tab Elastic Securing Strap Handlebar Mount Adapter



APLSSTRAP

Dual T-Slot to Dual T-Tab Elastic Securing Strap and Long Screw Handlebar Mount Adapter



Only for use with SM432

Dual T-Slot Adapters

AP015

Horizontal Female Dual T-Slot to 4-Hole AMPS Adapter



AP015-3M

Horizontal Female Dual T-Slot Adapter with 3M Adhesive Back



AP016

Vertical Female Dual T-Slot to 4-Hole AMPS Adapter



AP016-3M

Vertical Female Dual T-Slot Adapter with 3M Adhesive Back



AP2T1T

Dual T-Slot to Single T-Tab Adapter



For XM Satellite Radio, Bracketron®, and Scosche® mounting patterns

SBH Adapter Heads

SP-SBH-KIT

17mm Ball to Dual T-Tab Adapter with Tightening Ring



Also Available:

SP-SBH-KIT-22

22mm Ball to Dual T-Tab Adapter with Tightening Ring

SP-SBH-KIT-1B

17mm Ball to Single T-Tab Adapter With Tightening Ring



For XM Satellite Radio, Bracketron®, and Scosche® mounting patterns

SP-SBH-KIT-CAM

17mm Ball to 1/4"-20 Camera Bolt with Tightening Ring



Also Available:

SP-1420CAM

17mm Ball to 1/4"-20 Camera Bolt Adapter (Tightening Ring not included)

Security and Permanent Install Adapters

SP-KEYKIT1

5.5' Cable Key Lock with Adhesive or Screw-In Anchor



SP-IPMCL1

5.5' Cable Lock and Keys with Anchor



SP-LOOPLKVHB

4-Hole Plastic Loop Lock Plate with VHB Adhesive and Screws



Also Available:

SP-LOOPLK

4-Hole Plastic Loop Lock Plate

APAMPSSBH

4-Hole AMPS to Dual T-Tab Swivel Ball Head Adapter



1.5" tall

APVHBLOCK

Square VHB Adhesive Adapter Plate with Slot for Locking Cables (cables sold separately)



APAMPVBHWS

Adhesive or 4-Hole AMPS to Dual T-Tab Swivel Ball Head Adapter



1.5" tall

NEW

APVHBLOCK2T

VHB Adhesive Adapter Plate with Dual T-Slot and Slot for Locking Cables (cables sold separately)



Install Bay Essentials



Thousand Oaks, CA



Available for smartphones, satellite radios, and GPS, Arkon's three Pro-Install Mounts are multi-functional universal solutions that provide a streamlined, custom-fit, low-profile appearance in the vehicle. Their 4-Hole AMPS base attaches with incredibly strong 3M VHB adhesive, or with screws for a more permanent installation. They also directly attach to Vehicle Specific Mounts (VSMs) made by Pro.Fit International, ProClip, and others. A high-power charging harness and multi-functional mounting bracket round out the assortment. Whether it's a useful part for the install bay, or a retail-packaged solution for the store, Arkon's Install Bay Essentials are must-have accessories for your professional car stereo install shop.

Satellite Radio Mount Kits ▼

SR279

Sticky Suction Mount for **SiriusXM** SATELLITE RADIO

NEW



Smartphone Mount Kits ▼

MG2APAMPSVHB

Pro-Install Universal Smartphone Mount

NEW



VSM ✓

Accessories ▼

CAVPA1

USB to Micro USB Vehicle Power Adapter

NEW



Output: 2.4 Amp/5V
Input: 12-20V

APSRVHBKIT

Pro-Install Mount for **SiriusXM** SATELLITE RADIO

NEW



VSM ✓

APAMPSVHBWS

Pro-Install Mount for Arkon Dual-T Holders

NEW

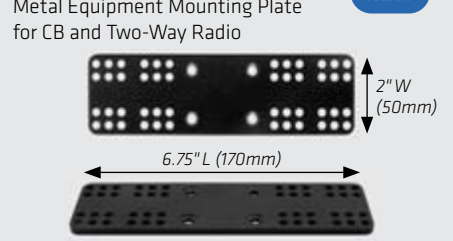


VSM ✓

APEQUIP

Metal Equipment Mounting Plate for CB and Two-Way Radio

NEW



Mounts and Holders for GARMIN

- GN014** - Travelmount® Deluxe Mini Windshield Suction Mount
- GN015** - Travelmount® Mini Windshield Suction Mount
- GN016** - Mini Dashboard Adhesive or Drill-Base Mount
- GN022** - 5" Travelmount® Deluxe Low-Vibration Windshield Mount
- GN033-G** - Cup Holder Mount with Flexible Gooseneck
- GN042** - Windshield Mount with 8.5" Flexible Gooseneck
- GN047** - Removable Air Vent Mount
- GN057** - Removable Air Vent Mount
- GN068** - Mini Sticky Suction Dash Mount
- GN079WD** - Windshield or Dash Sticky Suction Mount
- CM088-G17** - Steel Seat Rail or Floor Mount with 15" Flexible Gooseneck
- GN097** - Lighter Socket Mount with Integrated Power Dongle
- GN097-USB** - Mini USB Lighter Socket Mount
- GN112** - Mini Friction Dashboard Mount with Safety Anchor
- GN115** - Travelmount® Mini Windshield, Dashboard, or Console Mount

NEW



GN057
Removable Air
Vent Mount

NEW



Also Available:
GN047
Removable Air
Vent Mount



GN079WD
Windshield or Dash
Sticky Suction Mount



GN115
Travelmount®
Mini Windshield or
Dashboard Mount



- GN-BKT40** - For Garmin nüvi 40 Series
- GN-BKT50** - For Garmin nüvi 50 Series
- GN-BKT200** - For Garmin nüvi 200 Series
- GN-BKT300** - For Garmin nüvi 1200, 1250, 1260T, 1300, 1350, 1350T, 1370T, 1390T Series
- GN-BKT1400** - For Garmin nüvi 1450 1450T 1490T Series
- GN-BKT24X5** - For Garmin nüvi 24x5 Series
- GN-BKT25X5** - For Garmin nüvi 25x5 Series
- GN-BKT2013** - For Garmin nüvi 2013 Series



GPSHDCS7
Protective
Hard Case
for 5"-7" GPS
Devices



Also Available:
GPSHDCSXL
Protective Hard Case
for 4.3"-5" GPS Devices

TTEP179
Sticky Suction Dash or Windshield
Mount for TomTom® EasyPort™ Pattern

NEW



Also Available:
TT0179 - For TomTom® ONE 3rd Edition
TT0XL179 - For TomTom® ONE XL
TTG0179 - For TomTom® GO 520, 720, 920 Series
TTV179 - For TomTom® VIA

For **tomtom**

Replacement Adapters Also Available:



APTTEP



APTTO



APTTOXL



APTTG0520



APTTV

CA9931
Car Charger with Micro USB
Power Connector for Smartphones
(5V, 1 Amp)



CA-JLTDHK
Economical Power Adapter
with Fused, Linked Harness for
Motorcycles and Other Vehicles



CA-DHWK
Deluxe Power Adapter with Fused,
Linked Harness for Motorcycles and
Other Vehicles



GPS-NHWC2
Mini USB Hardwire Cable for
Connecting GPS to Motorcycles
and Other Vehicles (5V, 1.5 Amp)





BD-RMG279-BK526
Arkon/Trident Case Special Edition Bundle for iPhone® 6 4.7" screen size

NEW



Arkon and Trident Case have teamed up to release a special edition iPhone® 6 4.7" car mount and case bundle, featuring Arkon's Mobile Grip 2 sticky suction universal suction car mount and Trident Case's Aegis Series case. The Mobile Grip 2 mount is ideal for car dashboards, windshields, and other flat surfaces. Trident's Aegis cases are slim, lightweight and provide two layers of protection.

Personalized Cases Available

Trident Case offers personalized cases using the Digital In-Mold Decoration (D-IMD) process, which adds a permanent design to their cases during the manufacturing process. The design becomes a permanent part of the case and does not scratch off. D-IMD is made in the USA, and is highly efficient with short lead times, low minimum order quantities, and costs.



AMSHD001
(case not included)

Kraken A.M.S. cases are available for:

- Apple® iPad Air™ 2 and iPad Air™
- Apple® iPad mini™ 2, 1
- Apple® iPad 4th, 3rd, 2nd Generation
- Apple® iPhone® 6 Plus, 6, 5S, 5C, 5
- Samsung Galaxy S® 5, 4, 3
- Samsung Galaxy Note® 8
- Samsung Galaxy Note® 4, 3, 2
- Motorola Moto G and Moto X

For high-volume projects or fleet opportunities, Trident Case's Aegis, Cyclops, Perseus, Electra, and Apollo series products are also available through Arkon if bundled with Arkon's universal smartphone or tablet holders. Customize your case/mount bundle offering to suit your needs. Check with your Arkon representative for more details.

Available Mounts

- Windshield & Surface Mounts
- Other Vehicle Mounts
- Seat Rail Mounts
- C-Clamp Mounts
- Drill-Base Mounts

Each mount comes with either a smartphone adapter, tablet adapter, or both, depending on the mount's capability. These adapters allow Arkon mounts to work seamlessly with Trident Case's Kraken A.M.S. smartphone and tablet cases.

Kraken A.M.S. Series Adapters

AMS-AKN-ADP

Arkon Dual T-Slot to Trident Kraken A.M.S. Smartphone Case Adapter



AMS-AKN-T-ADP

Arkon Dual T-Slot to Trident Kraken A.M.S. Tablet Case Adapter



Localize an assortment of Arkon mounts with private label or co-branded custom packaging. Design your own printed insert card for use with Arkon's popular universal clamshell (5K MOQ). Or, submit your own custom packaging request ranging from low-end to complex clamshell, blister, and printed box packaging. With multiple packaging resources, Arkon can accommodate nearly any request.



Camera Mounts

- CMP214-R** - Travelmount® Deluxe Mini Windshield or Dash Mount
- CMP227-R** - Bicycle Handlebar Mount
- RCMP198** - Sticky Suction Windshield or Dash Mount
- RGP114** - Windshield Mount with Dash Disk for GoPro® HERO®
- RGP132** - Bike Mount for GoPro® HERO®
- RGP134** - Removable Strap Mount for GoPro® HERO®
- RGP198** - Sticky Suction Dash Mount for GoPro® HERO®

Smartphone Armbands

- ARMBAND5-R** - Fits up to 5.3" Screen Size or 5.5" H
- XXL-ARMBAND-R** - Fits up to 4.8" Screen Size or 5.25" H
- XL-ARMBAND-R** - Fits up to 4.3" Screen Size or 5.0" H

Universal Tablet Mounts

- RSM623** - Cup Holder Smartphone or Midsize Tablet Mount
- TABPB070** - Windshield Mount with 7" Modular Suction Pedestal
- TABPB078** - Sticky Suction Windshield or Dash Mount
- TABPB086** - Heavy-Duty Mount with 4" Arm and Adjustable C-Clamp Base
- TABPB088** - Seat Rail or Floor Mount with 18" Flexible Gooseneck
- TABPB117** - Windshield Mount with 14.5"-18.5" Telescoping Arm
- TABPB-RSHM3** - Car Seat Headrest Mount with Extension Arm



Universal Smartphone Mounts

- MG115-R** - Travelmount® Mini Windshield or Dash Mount
- RSM614** - Travelmount® Deluxe Mini Windshield or Dash Mount
- RSM615** - Travelmount® Mini Windshield or Dash Mount
- RSM617** - Robust Base Windshield or Dash Suction Mount
- RSM622** - Low-Vibration Windshield Mount with 5" Arm
- RSM678** - Sticky Suction Smartphone or Midsize Tablet Mount
- SM415-R** - Travelmount® Deluxe Mini Windshield or Dash Mount
- SM432-R** - Bicycle or Motorcycle Handlebar Mount with Elastic Securing Strap

Selected Packages Also Available in Spanish

- RMG279** - Mobile Grip 2 Sticky Suction Mount
- RSM679** - Slim-Grip® Ultra™ Sticky Suction Mount
- MG115-RSP** - Travelmount® Mini Windshield or Dash Mount
- RGP134SP** - Zip-Tie Style Strap Mount for GoPro® HERO®
- RGP198SP** - Sticky Suction Mount for GoPro® HERO®
- RSM622SP** - Anti-Vibration Smartphone Mount with 5" Arm
- RSM678SP** - Sticky Suction Mount for Smartphones and Midsize Tablets
- SM410-RSP** - Windshield, Dash, and Air Vent Smartphone Mount

MUST-HAVE PRODUCTS FOR 2015

MG279
Deluxe Mini Windshield
Sticky Suction Mount



MG2TRIXL
Mobile Grip 2 Universal
Smartphone Holder with
Flexible 11" Tripod

NEW

Also Available:
MG2TRI
Mobile Grip 2 Universal
Smartphone Holder with
Flexible 7.5" Mini Tripod



SM688L22
Universal Seat Rail or Floor Mount with 22"
Flexible Aluminum Gooseneck



SM679
Deluxe Mini Windshield or
Dashboard Sticky Suction Mount



IPM-TAB1
Portable Desktop or
Travel Tablet Stand

*Fits tablets with 7"
to 12" screen size*



*Compact design
folds down into
7" x 1.25" x 1"*

SM457
Removable Air Vent Mount

NEW



MAG195
Lighter Socket Magnet Mount with 5"
Flexible Gooseneck and USB 5V 1 Amp
Charge Port

NEW



TAB3-RSHM
Universal Tablet Headrest
Extension Mount



GP234
Bicycle or Roll Bar Zip-Tie Style
Removable Strap Mount
for GoPro® HERO®

NEW

*Fits handlebars
15mm to 50mm
in diameter*

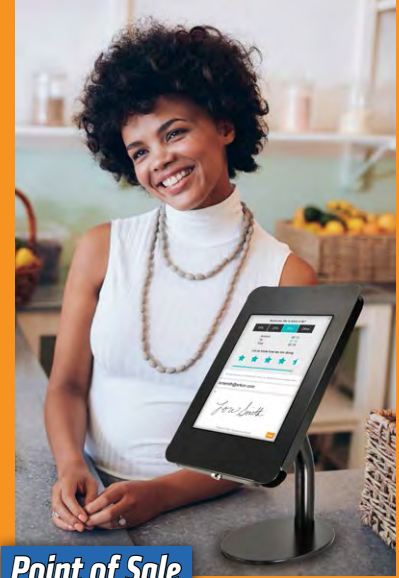


Replaces GP134

ARKON MOUNTS

Enterprise Mounting Solutions

Transportation



Point of Sale

Education



Healthcare

2016-2017



The Best Mounting Solutions for Your Needs

This enterprise catalog is intended to spotlight our **full assortment of products for enterprise** settings, such as **Fleet Transportation** (page 4), **Healthcare** (page 11), **Education** (page 10), and **Retail/Point-of-Sale** (page 12). Arkon's complete product selection includes more than 500 products, many of which can be mixed and matched to be used in customized environments, including law enforcement, public safety, agriculture, and aviation.

- Arkon also manufactures and sells other types of mounts and stands, including:
- Tripods
 - GPS Mounts
 - Tablet Stands
 - Headrest Mounts
 - Magnetic Mounts
 - Cup Holder Mounts
 - Bike and Motorcycle Mounts
 - TW Broadcaster™ Live Streaming Mounts and Stands
 - Camera Mounts, including those for GoPro® Action Cameras



ARKON'S COMMITMENT TO CUSTOMERS

Arkon stands behind the quality of its products and strives to ensure that customers have a positive user experience. We provide a 2-year limited warranty on all of our products.

TABLE OF CONTENTS

Enterprise Mounts	3
Powered Tablet Bundles for Fleets	4-5
Powered Phone Bundles for Fleets	6
Tablet Mounts	7-9
Vehicle-Specific Pro-Install Mounts	9
Mounting Solutions for Education	10
Healthcare Mounting Solutions	11

ADDITIONAL MARKETING RESOURCES

Customers and partners have access to Arkon instruction manuals, product images, videos and other marketing content through our comprehensive FTP site. Get the latest product information and company news by subscribing to our quarterly e-newsletter, *The Arkon Insider*. Check with your Arkon account manager for more information.

Point-of-Sale Mounting Solutions	12
Robust Mount Series Pedestals	13
Heavy-Duty Pedestals	14-17
Tablet Holders	18-19
Accessories - Cables	20
Accessories - Adapters & Spare Parts	21-23

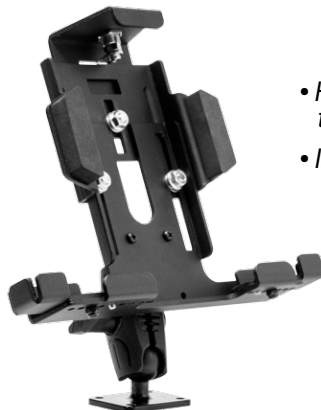


Universal Tablet Protection--on the Road or on Location

This sturdy universal locking tablet mount is ideal for commercial or enterprise vehicle installations or location-based point-of-sale (POS) operations where keeping your tablet secure is essential. The 4-Hole AMPS mount drill base can be screwed or drilled into any flat surface (screws not included) such as a dashboard, console, or countertop, and features a key lock (keys included) that keeps the tablet securely in place but can be removed if needed. The mount includes multiple horizontal and vertical adjustment points along both sides of the holder, making it compatible with 7"-10" screen size tablets, even those with protective cases.

TAB4METKL NEW

Universal Metal Locking Tablet Holder
with 4-Hole AMPS Drill Base



- Holder adjusts to fit tablets up to 10" screen size
- Included keys secure tablet



Powered Tablet Bundles for Fleets



Meeting the Unique Needs of Fleet Transportation Management

Whether your fleet consists of a few vehicles or thousands of trucks, Arkon can meet your company's unique requirements. We offer a range of powered mounting solutions with charging and security options. Our custom fit tablet holder (**TAB4METKL**) can be detached from the mount with a key lock. Our Lock Box models feature a hand strap for easy handling of the tablet outside of the vehicle. We also offer security cables, locks, and plates (page 21).

LBFLXTABE-L23 NEW 23" Seat Rail Tablet Lock Box Mount Bundle for Samsung Tab E 8.0

Includes:

- Lock box and case with keys
- Hardwire 2.4A charger
- Magnetic charging insert module
- Hardwire kit
- Locking hardware
- 23" Flexible seat rail gooseneck mount



measures 23"
end to end

Hand strap
included

Powered Tablet Bundles for Fleets

LBFLXTABE-MAGKIT NEW

4-Hole AMPS Drill-Base Tablet Lock Box FLEX Mount Bundle for Samsung Tab E 8.0



Includes:

- Lock box and case with keys
- Hardwire 2.4A charger
- Magnetic charging insert module
- Hardwire kit

TAB42AMPSUSB NEW

Universal Metal Locking Tablet Mount with Metal 4-Hole AMPS Drill Base



Includes:

- Hardwire 2.4A charger
- USB to Micro USB cable (6 foot)

Also Available: **TAB42AMPSHW**

Universal Metal Locking Tablet Holder with Fixed Install and Lightning® Cable



TAB42AMPSUSB

Powered Phone Bundles for Fleets

AIB75188 NEW

Charging Car Dock Mount Bundle with Seat Rail/Floor Option for Android Phones



This enterprise bundle includes the mPro Android charging car dock, with four vehicle mounting options: sticky suction windshield or dash mount, dash adhesive mount, or seat rail/floor mount.

Includes:

- a. mPro NFC™ Micro USB Car Dock (fits phone/case combinations from 4.7" to 5.75" wide)
- b. Windshield/Dash Sticky Suction Mounting Pedestal
- c. Adhesive Mounting Pedestal
- d. Adhesive Dashboard Mounting Disk
- e. Fixed Install USB Vehicle Power Adapter (12 - 24V Input, 2.4A Output)
- f. 15" Flexible Steel Gooseneck Seat Rail or Floor Mounting Pedestal



AIB751RM NEW

Charging Car Dock Mount Bundle with Drill-Base Option for Android Phones



This enterprise bundle includes the mPro Android charging car dock, with four vehicle mounting options: sticky suction windshield or dash mount, dash adhesive mount, or 4-Hole AMPS drill-base mount.

Includes:

- a. mPro NFC™ Micro USB Car Dock (fits phone/case combinations from 4.7" to 5.75" wide)
- b. Windshield/Dash Sticky Suction Mounting Pedestal
- c. Adhesive Mounting Pedestal
- d. Adhesive Dashboard Mounting Disk
- e. Fixed Install USB Vehicle Power Adapter (12 - 24V Input, 2.4A Output)
- f. Robust 4-Hole AMPS Drill-Base Mounting Pedestal with 17mm Head





TCMH001

TCMH001

22" Heavy-Duty Seat Rail Tablet Combo Mount with Keyboard Tray and Adjustable Arm



*Fits tablets
9" - 12"
screen size*

*3 adjustment
points*

*Multiple brackets included for various
seat rail configurations*

Holder Fits Tablets 7" - 12.9" Screen Size

TAB801

22" Heavy-Duty Aluminum Seat Rail Mount with Adjustable Arm



*3 adjustment
points*

*Multiple brackets included for
various seat rail configurations*

TAB188L22

22" Universal Seat Rail or Floor Tablet Mount with Flexible Gooseneck



*Also Available: **TAB088G17**
15" Universal Seat Rail or Floor Tablet Mount
with Gooseneck*

Tablet Mounts

Holder Fits Tablets 7" - 12.9" Screen Size

TAB-FSM

18" Universal Seat Rail or Floor Mount with Flexible Gooseneck



TAB804

10" Heavy-Duty Aluminum Mount with Adjustable Arm and C-Clamp Base



2 ball adjustment points

C-Clamp Opening: 0"-1.5" (40mm)

TAB805

10" Heavy-Duty Aluminum Mount with 4-Hole AMPS Drill Base



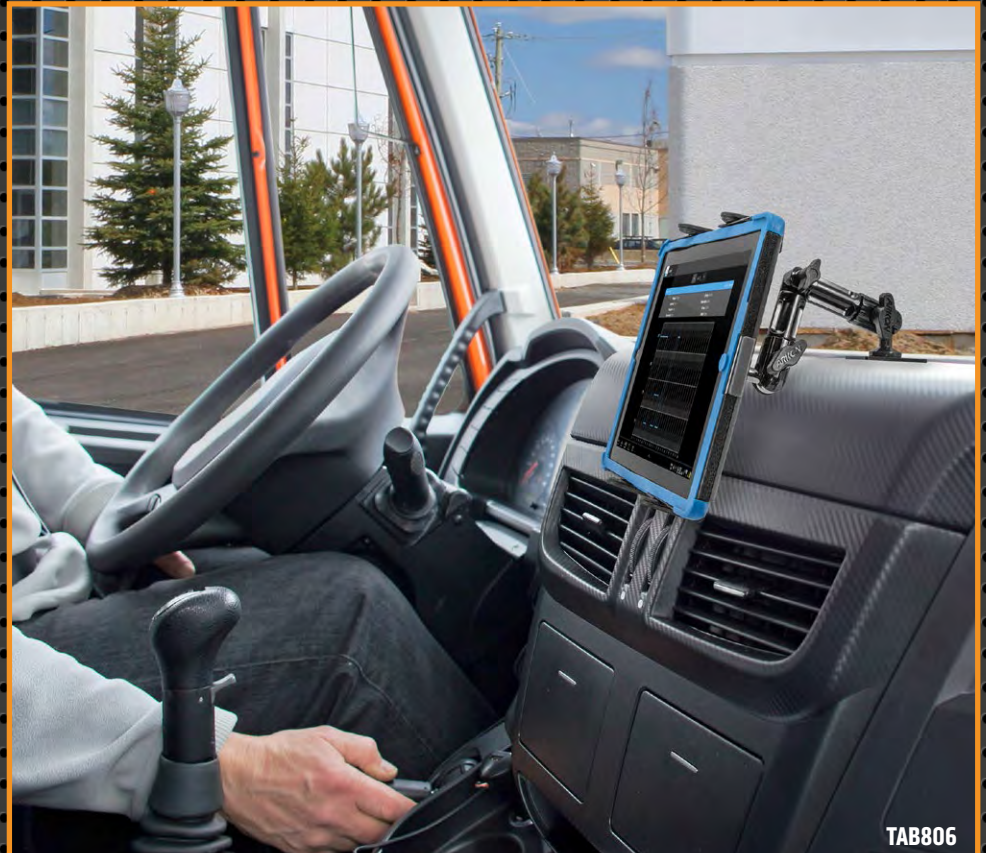
2 ball adjustment points

TAB806

9" Heavy-Duty Aluminum Mount with Multi-Angle Arm and 4-Hole AMPS Drill Base



3 adjustment points



TAB806

Holder Fits Tablets 7" - 12.9" Screen Size

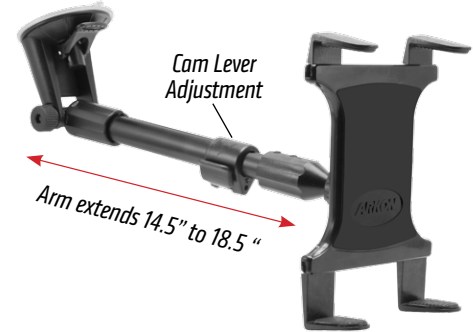
TABRM023 NEW
Robust Cup Holder Tablet Mount

Base expands to fit up to 3.5" (89mm) diameter



TAB-CM117
Windshield Suction Extension Tablet Mount

PVC Suction Base



TABRMAMPS-MET
Robust Tablet Mount with Metal 4-Hole AMPS Drill Base



RM6AMPS2T
Robust 4-Hole AMPS Drill-Base Mount with Midsize Tablet or Smartphone Holder

- Holds devices up to 8" screen size
- Spring-loaded holder
- Customizable support legs



For more holder info, see page 19

Vehicle-Specific Pro-Install Mounts

Arkon's Pro-Install mounts are multi-functional universal solutions that provide a streamlined, custom-fit, low-profile appearance in the vehicle. These mounts attach with incredibly strong 3M™ VHB™ adhesive, or with screws for a more permanent solution. They also attach directly to Vehicle-Specific Mounts (VSMs) made by Pro.Fit International, ProClip and others.

MG2APAMPSVHB
Pro-Install Universal Smartphone Mount



VSM

APSRVHBKIT
Pro-Install Mount for



VSM

APAMPSVHBWS
Pro-Install Mount for Arkon Dual-T Holders



VSM

Mounting Solutions for Education



TABSTAND4

Students and Teachers Love Arkon Mounts!

Rugged and durable, Arkon mounts stand up to the test. Tablet stands, as well as clamp or drill base mounts, are ideal for student or teacher use. **TABSTAND4** is a favorite in the classroom, featuring a weighted base and adjustable telescoping arm. Also popular are **TABRM086** and **TAB086-12** tablet clamp mounts, which fit tablets 7"-12.9" screen size. **TAB05237KIT** is specifically made for iPad Pro™ 9.7", iPad® 4, 3, 2, iPad Original, iPad Air™ 2, or iPad Air™, features a key lock, and clamps onto a classroom desk or shelf.

TAB086-12
Heavy-Duty Clamp Mount with 12"
Flexible Gooseneck and Adjustable Base



C-Clamp Opening:
0.25"-2.25" (6mm-57mm)

Also Available: **TAB086-22**
Heavy-Duty Mount with 22" Flexible
Gooseneck and Adjustable C-Clamp Base

TABSTAND4
Heavy-Duty Tablet Stand with
Weighted Base and Telescoping Arm



Arm extends upward
from 7.5"-9.75"

Weighs 3.4 lbs.

TABRM086
Tablet Clamp Mount with
Adjustable Base



C-Clamp Opening:
0.25"-2.25" (6mm-57mm)

TAB05237KIT **NEW**
iPad® Shelf Clamp Mount

- 180-degree swivel
- Clamps up to 1.2" wide
- Internal dimensions: 9.75" x 7.5"
- Includes Allen wrench and key lock
- Padding prevents shelf damage



Also available in white (TAB05237KITW)

Healthcare Mounting Solutions



TAB804
10" Heavy-Duty Aluminum Tablet
Clamp Mount with Adjustable Arm



Arkon's Top-Selling Tablet Mounting Solutions for Healthcare

Arkon's extensive assortment of rail/post clamp mounts, wall mounts, and countertop mounts are ideal for patient/exam rooms, reception/lobby areas, nurses' stations, or pharmacies. These mounts help make the most out of any space-constrained area and put the device right at the hands of those who need them for an improved patient experience.

Featured on this page, **TAB804** (featuring a C-clamp base) and **TAB806** (featuring a multi-angle arm and 4-hole drill base)--are two of Arkon's most popular medical mounting solutions. These heavy-duty aluminum tablet mounts are easy to clean and fit tablets 7"-12.9" screen size. Other recommended tablet mount solutions can be found on pages 7-9.

TAB806
9" Heavy-Duty Aluminum Drill-Base
Tablet Mount with Multi-Angle Arm



Point-of-Sale Mounting Solutions

TAB050162KIT NEW iPad® Tabletop Stand with 8.5" Neck



- 180° tilt adjustment
- Skid-proof base
- 6" diameter base
- Includes key lock

Also available in white (TAB050162KITW)



TAB050162KIT

Secure iPad® Stands and Mounts

These tough, yet elegant metal tablet stands and mounts keep your point of purchase or kiosk areas looking uncluttered and functional.

Choose the solution that works best with your environment, whether it's a simple desktop stand with adjustable "kickstand" (TAB05183KIT), a tabletop stand with 8.5" neck to provide additional height (TAB050162KIT), or a tabletop stand with swivel for flexibility (TAB05219KIT). All three are compatible with iPad Pro™ 9.7", iPad® 4, 3, 2, iPad Original, iPad Air™ 2, or iPad Air™ (internal dimensions: 9.75" x 7.5").

A security cable lock is also available (see page 21) to keep your tablet secure.

TAB05183KIT NEW iPad® Desktop Stand



- 180° tilt adjustment
- Includes key lock

Also available in white (TAB05183KITW)

TAB05219KIT NEW iPad® Swivel Tabletop Stand



- Skid-proof base
- Includes key lock

- Neck measures approx. 8.5"
 - 270° tilt adjustment
 - Oval base measures 8" x 6"
- Also available in white (TAB05219KITW)



TAB05219KIT

Robust Mount Series Pedestals



RM080AMPS
Robust Windshield Suction Mount
with 4-Hole AMPS Head



*Measures 6.5" (165mm)
end to end*



RMAMPS2T-MET
Robust 4-Hole AMPS Drill-Base
Mount with Dual-T Head



*Measures 5" (127mm)
end to end*



RMS2XAMPS-MET-SH
Robust 4-Hole AMPS Drill-Base
Mount with Small Shaft and
Metal AMPS Head



*Measures 4" (102mm)
end to end*



Includes security hardware

RMS2XAMPS-MET
Robust 4-Hole AMPS Drill-Base
Mount with Small Shaft and
Metal AMPS Head



*Measures 4" (102mm)
end to end*



RMSAMPS2T
Robust 4-Hole AMPS Drill-Base
Mount with Small Shaft and
Dual-T Head



*Measures 4" (102mm)
end to end*



RM2XAMPS-MET
Robust 4-Hole AMPS Drill-Base Mount
with Metal 4-Hole AMPS Head



*Measures 5" (127mm)
end to end*



RMAMPS2517
Robust 4-Hole AMPS Drill-Base
Mount with 17mm Ball Head

*Measures 5.75"
(146mm) end to end*

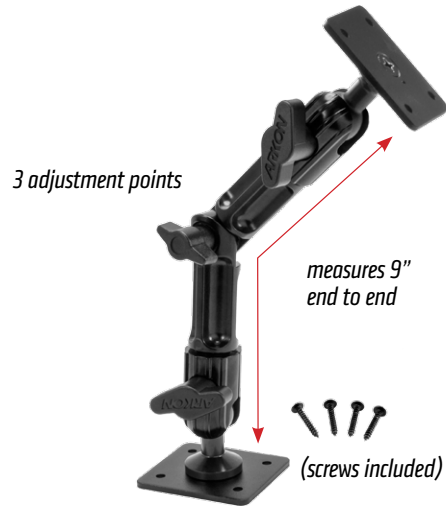


Heavy-Duty Pedestals



HD006-AMPS

9" Multi-Angle Aluminum 4-Hole AMPS Drill-Base Mounting Pedestal with AMPS Head

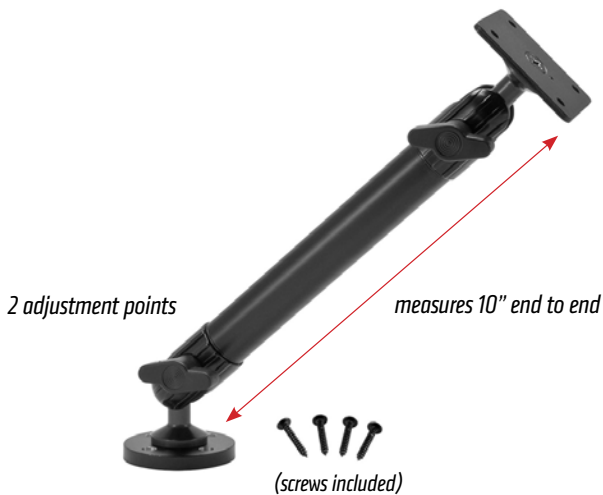


Also Available: **HD006**
With Dual-T Head



HD005-AMPS

10" Drill Base Aluminum Mounting Pedestal with Adjustable Arm and AMPS Head



Also Available: **HD005**
With Dual-T Head

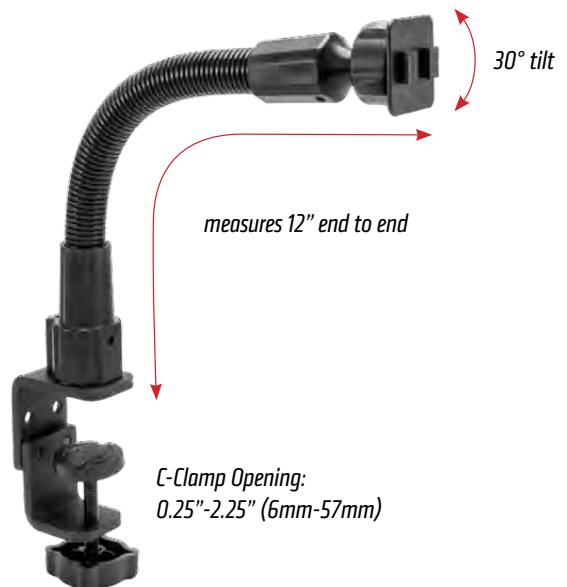


Also Available: **HD0054P**
With 4-Prong Head



GN086-12-SBH

12" Aluminum Clamp Mounting Pedestal with Flexible Gooseneck and Dual-T Head

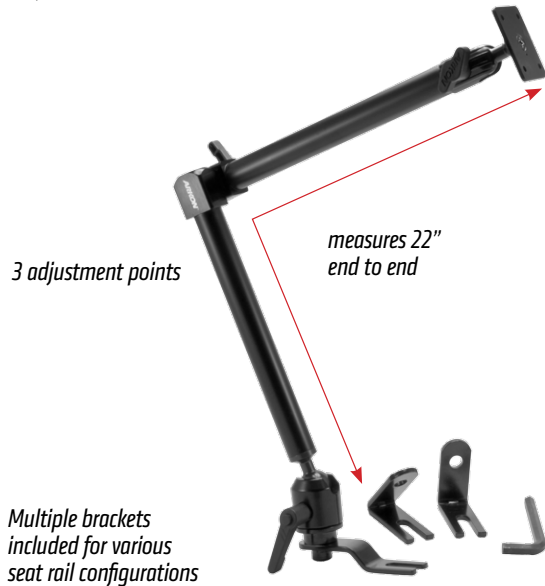


Also Available: **GN086-22-SBH**
22" Aluminum Clamp Mounting Pedestal with
Flexible Gooseneck and Dual-T Head



HD001-AMPS

22" Aluminum Seat Rail Mounting Pedestal with Adjustable Arm and AMPS Head

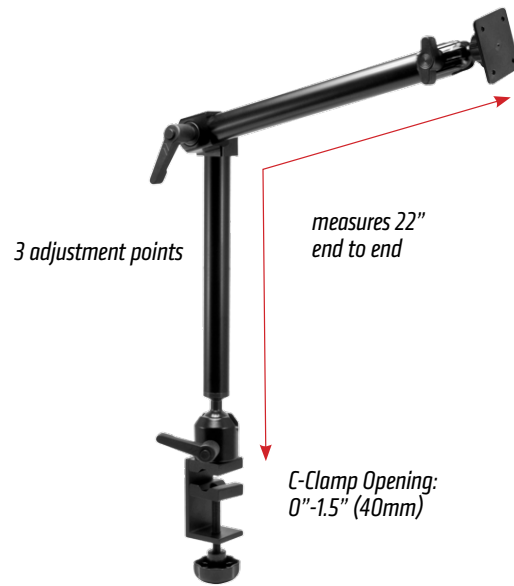


Also Available: **HD001**
Aluminum Seat Rail Mounting Pedestal with 22" Adjustable Arm and Dual-T Head



HD002-AMPS

22" Aluminum Clamp Mounting Pedestal with Adjustable Arm and AMPS Head

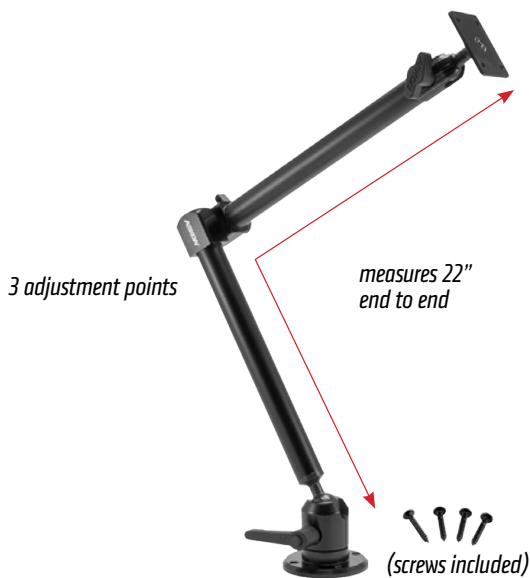


Also Available: **HD002**
Aluminum C-Clamp Mounting Pedestal with 22" Adjustable Arm and Dual-T Head



HD003-AMPS

22" 4-Hole Drill-Base Aluminum Mounting Pedestal with Adjustable Arm and AMPS Head

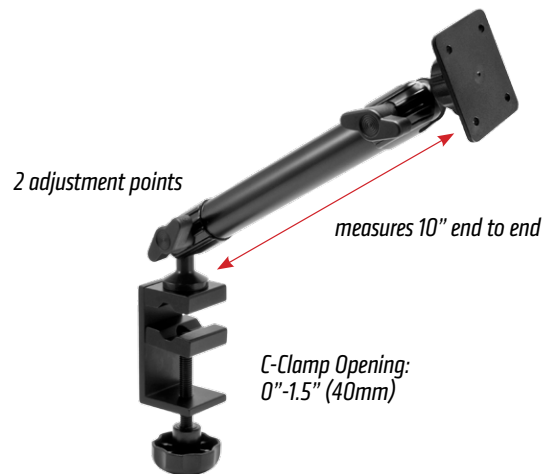


Also Available: **HD003**
22" Aluminum Drill-Base Mounting Pedestal with Adjustable Arm and Dual-T Head



HD004-AMPS

10" Aluminum Clamp Mounting Pedestal with Adjustable Arm and AMPS Head



Also Available: **HD004**
With Dual-T Head



Also Available: **HD0044P**
With 4-Prong Head



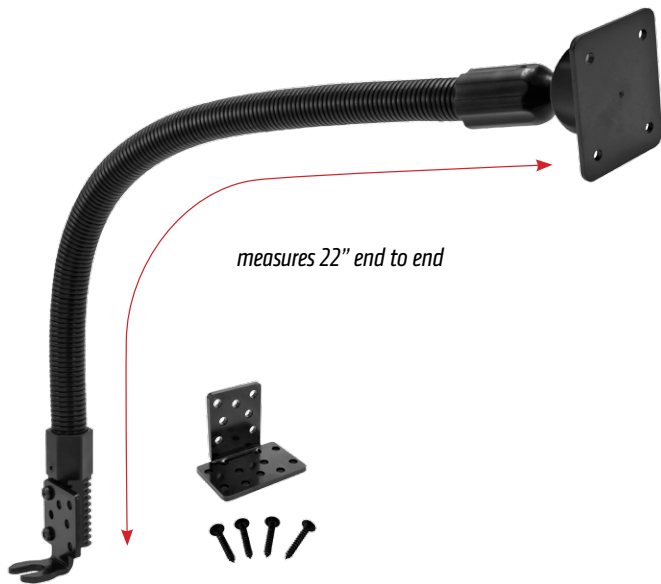
Heavy-Duty Pedestals



GN092-L23-AMPS (with TAB001-AMPS tablet holder)

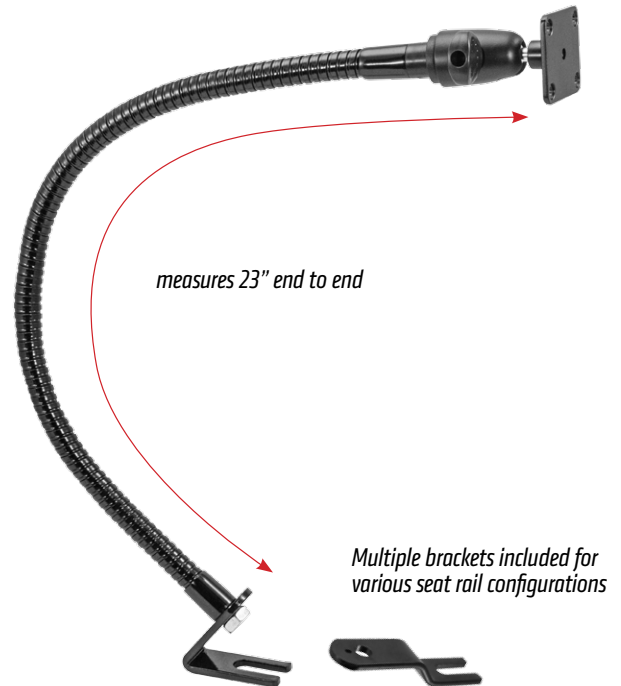
GN088-SBH-AMPS-L22

22" Seat Rail or Floor Mount with Flexible Metal Gooseneck and AMPS Head



GN092-L23-AMPS **NEW**

23" Seat Rail Mount with Flexible Metal Gooseneck and AMPS Head



Multiple brackets included for various seat rail configurations

Heavy-Duty Pedestals

HMHD006

9" Heavy-Duty Headrest Clamp Pedestal with Dual-T Head



measures 9"
end to end



Allen wrench and
screws included



GN086-SBH

Clamp Mounting Pedestal with 4" Adjustable Arm and Dual-T Head



4"
(100mm)

C-Clamp Opening:
0.25"-2.25" (6mm-57mm)



CM017-KST-2SH

5" Robust Base Windshield 80mm Suction Pedestal with Dual-T Head



PVC Suction Base



CM117-SBH

Long Windshield Suction Pedestal with Telescoping Arm and Dual-T Head



PVC Suction Base

Cam Lever
Adjustment

30° tilt

Arm extends 14.5" to 18.5"

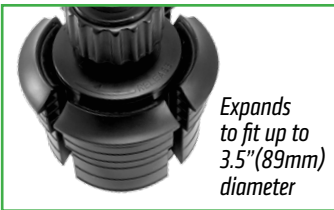


RM0232T-B NEW

Cup Holder Mounting Pedestal with Dual-T Head



9.25"



Expands
to fit up to
3.5" (89mm)
diameter



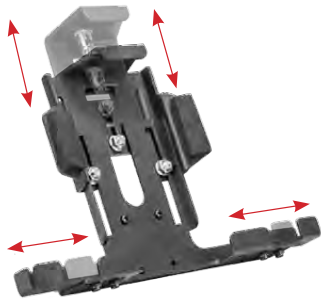
CM117-SBH with TAB001 tablet holder (TAB-CM117)

Tablet Holders



**TAB004KL-B with
RM2XAMPS-MET-SH
(TAB4METKL)**

TAB004KL-B NEW Universal Metal Locking Holder with Key Lock



- Fits tablets up to 10" screen size
- Included keys secure tablet
- Connects to pedestals with 4-Hole AMPS



Dimensions:
Min. width: 7.75" (197mm)
Max. width: 10.25" (260mm)
Min. height: 5.0" (127mm)
Max. height: 8.63" (219mm)
Depth: .88" (22mm)



4-AMPS



TAB05240 NEW iPad® Tablet Enclosure with Key Lock



- External dimensions: 12" x 7.9" x 0.9"
 - For iPad Pro™ 9.7", iPad® 4/3/2/1, iPad Air™ 2, iPad Air™
- Also available in white (TAB05240W)



- Swivels for both portrait/landscape view
- VESA 100 pattern compatible
- Pads included for snug tablet fit
- Holes for cables/cords
- For use with Arkon RM or HD pedestals



TAB001 Slim-Grip® Universal Tablet Holder with Dual-T Pattern

- Fits 7" to 12.9" screen size tablets
- Spring-loaded design
- Customizable support legs (4 short/4 long) and stoppers included

Dimensions:
 Holder height: 6.75" (170mm)
 Holder width: 4.6" (117mm)
 Max. extension: 7.75" (192mm)
 Holder height, long legs: 7.5" (216mm)
 Max. extension, long legs: 9.0" (229mm)



TAB001-AMPS NEW Slim-Grip® Universal Tablet Holder with 4-Hole AMPS Pattern



Dimensions:
 Holder height: 6.75" (170mm)
 Holder width: 4.6" (117mm)
 Max. extension: 7.75" (192mm)
 Holder height, long legs: 7.5" (216mm)
 Max. extension, long legs: 9.0" (229mm)




(screws included)



- Fits 7" to 12.9" screen size tablets
- Spring-loaded design
- Customizable support legs (4 short/4 long) and stoppers included



SM060-2 Slim-Grip® Ultra™ Universal Midsize Tablet and Smartphone Holder



Dimensions:
 Holder height: 4.25" (108mm)
 Max. extension: 6.0" (152mm)
 Holder height, long legs: 5.5" (140mm)
 Max. extension, long legs: 7.5" (190mm)



- Fits devices up to 8" screen size
- Dual-T pattern compatible
- Spring-loaded design
- Customizable support legs (4 short/4 long included)



Accessories - Cables

CAVPA1

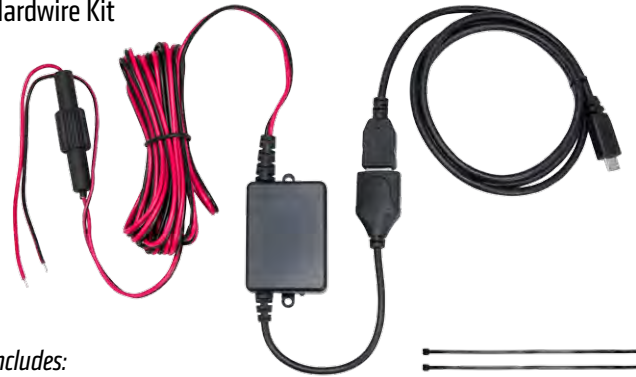
Fixed Install Adapter Cable



- Female USB to hardwire
- 6 foot (1.8 meters)
- Output: 2.4A - 5V
- Input: 12V - 24V

CALBHWKIT2

Hardwire Kit



Includes:

- 4 foot (1.2 meters) 2.1A Charger
- 8.5 foot (2.6 meters) Micro USB Pigtail Tip
- Install Kit



CLA21228

Triple USB Car Charger with 3 USB Ports for iPhone®, Smartphone, or Tablet



- Charges up to three devices simultaneously
- Input: 9V - 24V
- Output: DC 5V 3.1A

IBA-41400-B

USB to Apple Lightning® Cable



- 6.5 foot (2 meters)
- MFI Certified for iPhone®, iPad®
- For up to 2.1A chargers

CAUSBMC6

USB to Micro USB Cable



- 6 foot (1.8 meters)
- Not Apple compatible
- 1.5A

CAUSBMC3 NEW

USB to Micro USB Cable



- 3 foot (.9 meter)
- 2.1A

CA9931

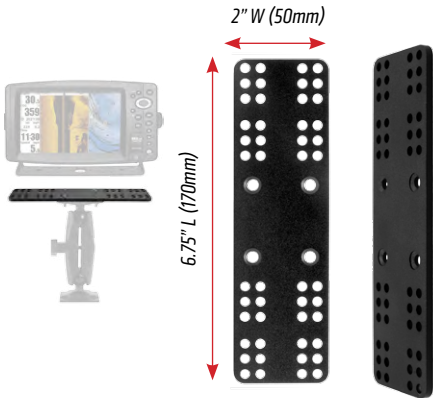
Car Charger with Micro USB Power Connector



- For lighter socket or accessory outlet
- Output: 5V 1A

Accessories - Adapters & Spare Parts

APEQUIP Metal Equipment Plate



SP-IPMCL1 5.5' Cable Lock and Keys with 4-Hole Plastic Loop Lock Plate



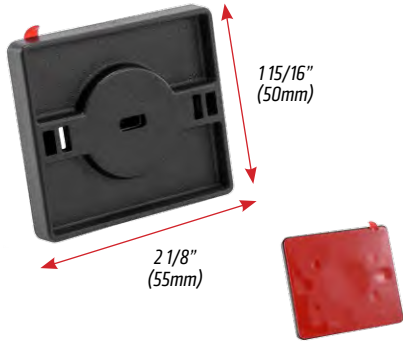
Plate measures 54mm x 50mm

SP-LOOPLKVHB 4-Hole Plastic Loop Lock Plate with VHB Adhesive and Screws



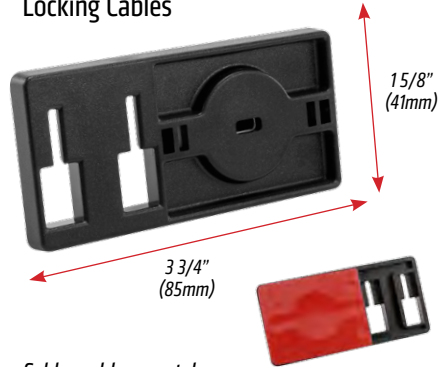
Plate measures 54mm x 50mm

APVHBLOCK Square VHB Adhesive Adapter Plate with Slot for Locking Cables



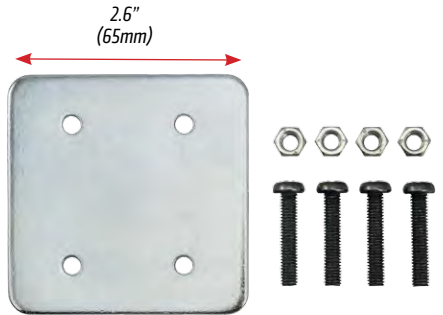
Cables sold separately

APVHBLOCK2T VHB Adhesive Adapter Plate with Dual T-Slots and Slot for Locking Cables



Cables sold separately

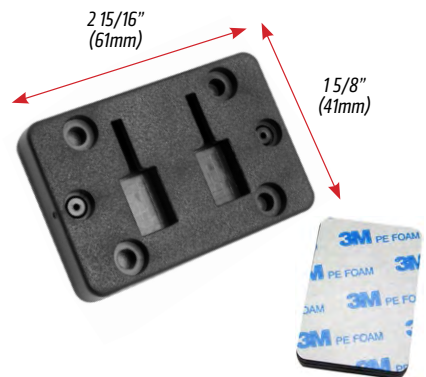
SPAMPSPLATE Square Mounting Plate with 4-Hole AMPS Drill-Base Pattern



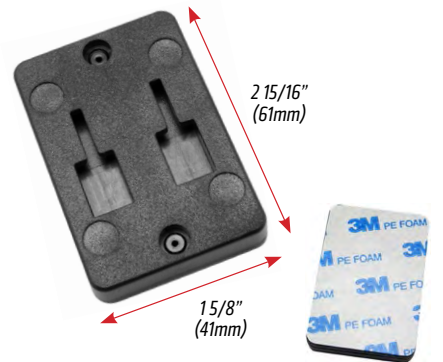
SPLBIP401 Install Kit



AP015-3M Horizontal Female Dual T-Slot Adapter with 3M Adhesive Back



AP016-3M Vertical Female Dual T-Slot Adapter with 3M Adhesive Back

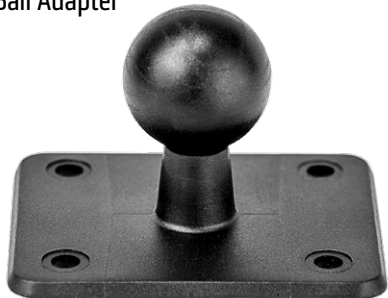


Accessories - Adapters & Spare Parts

AMPS Pattern Adapters

APMAMPS25MM

Metal AMPS to 25mm (1 inch)
Ball Adapter



Use with Arkon Robust Mount Series

APAMPS25MM

AMPS to 25mm (1 inch) Ball Adapter



Use with Arkon Robust Mount Series

APMAMPS38MM NEW

Metal AMPS to 38mm (1.5 inch)
Ball Adapter



Dual-T Pattern Adapters

APRM2T

25mm (1 inch) Ball to Dual T-Tab Adapter



Use with Arkon Robust Mount Series

APBALL2T

20mm Ball to Dual T-Tab Adapter



AP20MM2T

20mm Chrome Ball to Dual T-Tab Adapter



4-Prong Pattern Adapters

SP25MM4P

25mm (1 inch) Ball to
4-Prong Adapter



Use with Arkon Robust Mount Series

SP20MM4P

20mm Ball to 4-Prong Adapter



VHB Base Adapter

SP-VHB25MM

Flexible VHB Adhesive Base to
25mm (1 inch) Ball Adapter



Use with Arkon Robust Mount Series



Accessories - Adapters & Spare Parts

Ball-to-Ball Adapters

SP25MM25

25mm (1 inch) Ball to
25mm Ball Adapter



Use with Arkon Robust Mount Series

SP20MM25

20mm Ball to 25mm
(1 inch) Ball Adapter



Use with Arkon Robust Mount and HD Series

SP25MM17

25mm (1 inch) Ball to
17mm Ball Adapter



Use with Arkon Robust Mount Series

SP20MM17

20mm Ball to 17mm
Ball Adapter



Miscellaneous Accessories

SP25MMKR **NEW**

25mm (1 inch) Ball to
Slide-In Pattern Adapter



Use with Arkon
Robust Mount Series

SP-RMSH-KIT

Robust Mount
Security Kit



APT325MM **NEW**

Triple 25mm (1 inch)
Ball Adapter



Use with Arkon
Robust Mount Series

Dual T-Slot Adapter

AP2T17MM

Dual T-Slot to 17mm
Ball Adapter



VESA Pattern Adapters

AP25MMVESA **NEW**

VESA 75 / VESA 100
to 25mm (1 inch) Ball
Mount Bracket Adapter



Use with Arkon Robust Mount Series

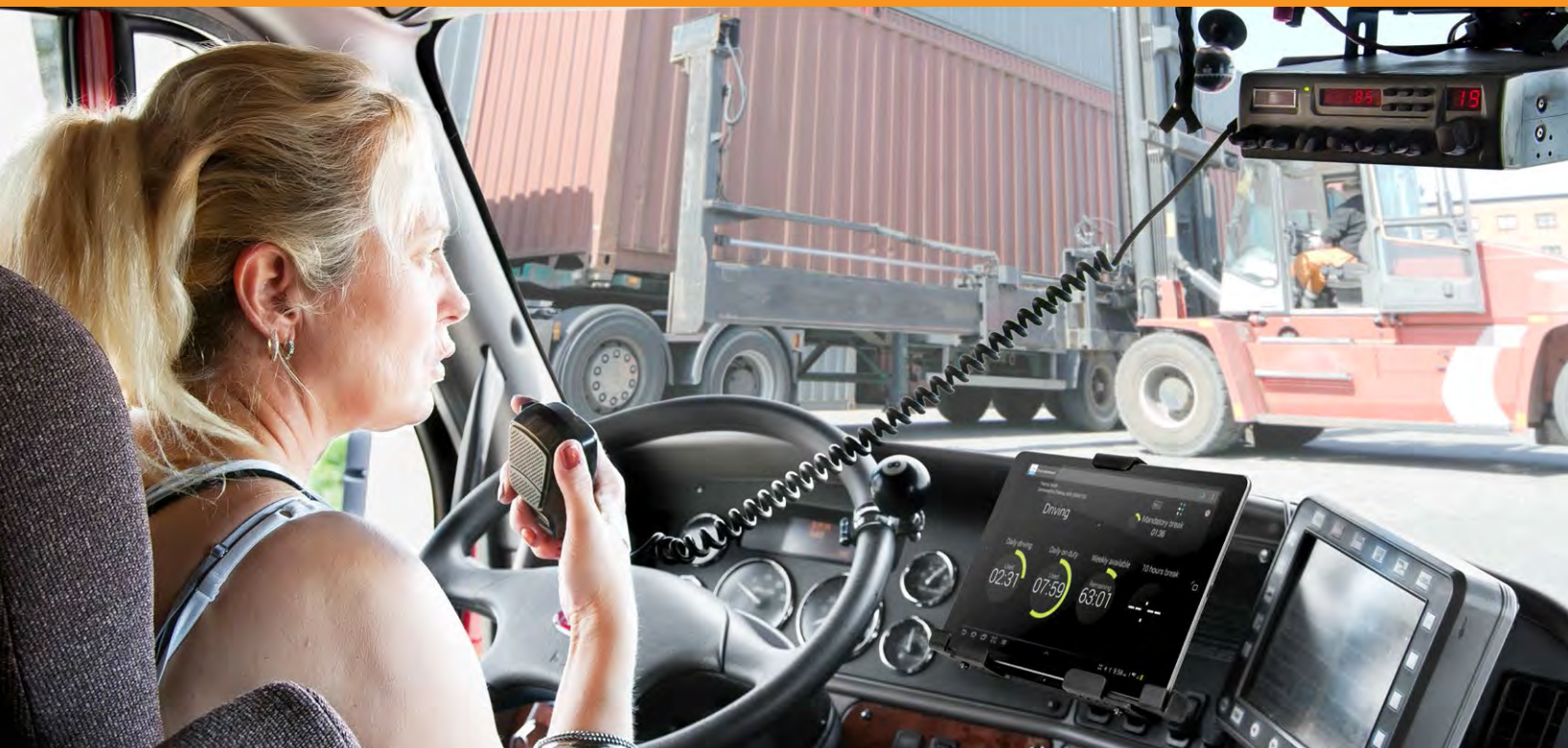
AP20MMVESA **NEW**

VESA 75 / VESA 100
to 20mm Ball Mount
Bracket Adapter



Use with Arkon HD Series

Helping Commercial Drivers Comply with the FMCSA ELD Rule



FMCSA Compliance for Commercial Drivers

Starting December 18, 2017, the Federal Motor Carrier Safety Administration (FMCSA) requires use of an electronic logging device (ELD) for commercial drivers who are required to prepare hours-of-service (HOS) records of duty status (RODS). An ELD automatically records the following data elements at certain intervals: date, time, location information, engine hours, vehicle miles, and identification information for the driver, authenticated user, vehicle, and motor carrier.

A driver may use a portable ELD, including a smartphone or other wireless device if the device meets the ELD rule's technical specifications. A portable ELD must be mounted in a fixed position during commercial motor vehicle (CMV) operation and visible to the driver from a normal seated driving position. Arkon tablet mounts help you comply with this important new regulation and offers a wide range of solutions. See pages 3-5.



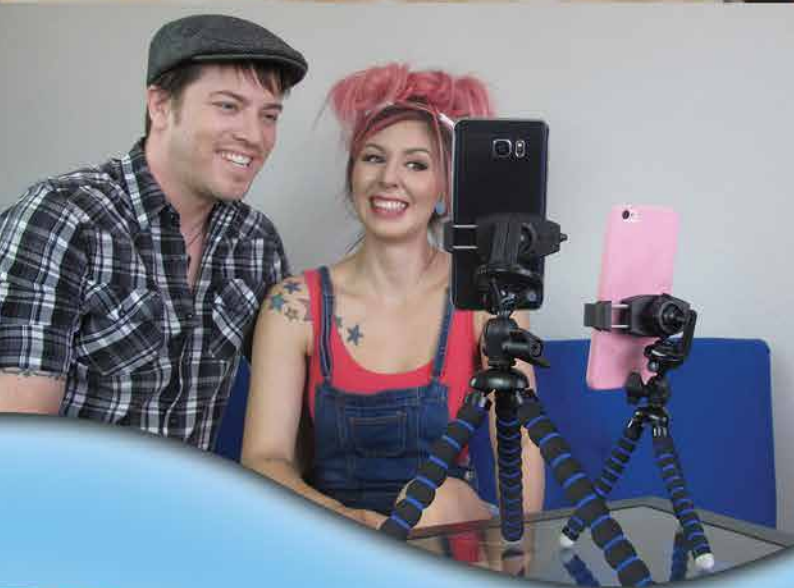
TAB4METKL
(see p. 3)



LBFLXTABE-MAGKIT
(see p. 5)

ARKON MOUNTS

Live Streaming Mount Essentials



Professional Gear for Mobile Broadcasters & Videographers

#TWBroadcaster #arkon #arkonmounts #arkonpride

2016-2017

HD8RV29 Live Streaming | Live Video Stand

Live streaming mounts are usually designed with the expectation that the broadcaster will be the focal point of the device's camera. Not so with Arkon's Multi-Purpose Live Streaming Mount. This incredibly versatile stand facilitates maximum multi-directional positioning of the phone. Most commonly used by crafters, artists, painters, bakers, cooks, hobbyists, and jewelry makers, this particular stand was specifically created to support live or recorded video demonstrations, DIY tutorials, or instructional videos wherein the food, art, crafts, or other non-human subject matter is the star of the show. However, the phone can just as easily be positioned at the perfect height or front-facing angle needed to highlight the live streamer or videographer.



Features:

- Support shaft adjusts from 17" to 29" tall
- Universal phone holder fits all phones and cases
- Easily adjusts to provide overhead view of your broadcast
- Multiple (6) 360-degree swivel adjustment points at top portion of mount arm
- Must-have accessory for your kitchen, living room, office, studio
- Maximum height with adjustment arm extended upwards is 38" (ideal for use as a floor stand)
- Stand base requires a solid, flat, mountable surface (e.g., kitchen counter, floor, table, desk)



VICTORIA PAVLOV
Digital Artist, Photographer, & Educator



LAURIE COLLINS
Whisk Confections, Owner & Sugar/Arts Instructor



ROCKY NASH
Live Streaming Travel Host



SANDY ALLNOCK
Artist, Paper crafter, & Blogger



CATHY NOLAN
Caricature Portrait Artist, ABC News

TRIPOD FOR CAMERAS WITH 1/4"-20 PATTERN



CMPTRIXL
Flexible 11" Tripod with 1/4"-20
Universal Camera Mount Pattern

A reliable tripod is the single most important accessory for broadcasters and videographers. Portable and versatile, they can be set up nearly anywhere.

Arkon's Flexible Leg 11" Tripods (XL series) all feature the same tripod base, but vary depending on the holder or attachment situated at the top of the tripod.

The lightweight tripod is an ideal height for live streaming and broadcasting. Need it to be a little lower? Simply bend the legs and adjust to your desired height. The tripod mount's legs can be wrapped around fence posts, poles, handlebars, and tree branches or limbs.

Securely grip the tripod's cushioned legs and hold up to catch the action at concerts, parades, and other events.

UNIVERSAL PHONE TRIPOD - FITS PHONES & CASES UP TO 3.6" WIDE



BRANDEE/ANTHONY
The Periscope Mermaid || **MG2TRIXL**



MG2TRIXL
Mobile Grip 2 Flexible 11" Phone Tripod
Fits Phone Case Combinations Up to 3.6" Wide

UNIVERSAL PHONE TRIPOD - MAGNETIC



MAGTRIXL
Flexible 11" Tripod
Magnetic Phone Mount
Max Weight: 6.3 oz.



UNIVERSAL PHONE TRIPOD - FITS ALL PHONES AND CASES UP TO 4" WIDE



RVTRIXL
RoadVise™ Flexible 11" Phone Tripod
Fits All Phone Case Combinations Up to 4" Wide



TRIPOD FOR PHONES & MIDSIZE TABLETS



SM6TRIXL
Flexible 11" Tripod for Midsize Tablets (iPad mini™, All Models and Galaxy Tab 7" and 8" Tablets)

TRIPOD FOR GOPRO® HERO® ACTION CAMERAS



GPROTRIXL
Flexible 11" Tripod for GoPro® HERO®





VADA ASHLEY as **Darth Vada**
 Entertainer & Spokesperson Quadcasting with **HD8SM629** & **HD8TAB29**

Marketers and social media professionals continue to utilize live streams as a means to promote and educate others on their respective products or services. Dual broadcasting is an increasingly popular way to reach larger audiences.

Key to the success of your dual broadcast is that the two devices are held closely together, thereby ensuring the continuity and integrity of your broadcasts across multiple platforms.

Aaron Roth, Arkon's live streaming VP, regularly dual broadcasts using an iPad Pro™ 9.7" and an iPhone® 6 Plus. His favorite dual broadcaster is the new HD8TAB29.

TW BROADCASTER™ TALL DESK OR FLOOR STAND | HEIGHT ADJUSTABLE FROM 17"-29"

NEW



HD8TAB29
 Dual Tablet and Phone Holder

NEW




HD8SM629
 Combo Midsize Tablet and Phone Holder

NEW




HD829RV2
 Pro Dual Phone Holder

TW BROADCASTER™ LOW-PROFILE DESK STAND | HEIGHT ADJUSTABLE FROM 7.5"-9.75"



TWBHD8TAB
 Dual Tablet and Phone Holder



TWBHD8SM6
 Combo Midsize Tablet and Phone Holder



TWBHD8RV2
 Pro Dual Phone Holder



KIM GARST
Social Selling Strategist | TWBHD8TAB



TWBHD82MAG
Dual Magnetic Phone Holder

Dual broadcasting is not only fun, it helps you reach a larger audience. Many live streamers utilize secondary devices, such as an iPad® or tablet to view the comments in their broadcast. Your dual broadcaster is also customizable, whereby you can swap out a particular holder for a magnetic phone holder or GoPro® HERO® adapter. Contact Arkon sales for custom solutions.



CHRISTINA AMATO
Singer & Social Media Influencer | TWBHD8RV2



SCOTT WILLIAMS
Keynote Speaker, Ideapreneur, & Digital Evangelist | TWBHD8TAB

TW BROADCASTER™ DUAL MOUNTS - HANDHELD OR FOR USE ON TRIPODS



TWBRVTAB
Dual Tablet and
Phone Tripod Mount
(Tripod not included)



TWBRVSM6
Combo Midsize Tablet
and Phone Tripod Mount
(Tripod not included)



MARIO ARMSTRONG
Digital Lifestyle Contributor,
NBC TODAY Show | TWBRV02



ROCKY NASH
Live Streaming Travel Host | RM179

The TW Broadcaster™ Single-Phone Edition Mounts satisfy the basic gear needs of casual live streamers who use only one app at a time (e.g., Periscope, Facebook Live, or Busker).

Arkon's best seller (RM179), features an amazing sticky suction base that connects your phone to most smooth, flat surfaces (desks, tables, desktop PC tower boxes, mirrors, windows, and even to some walls or cabinets).

Other options in the assortment include tripod mount attachments, camera hot shoe mounts, and tablet stands. Floor stands are ideal for use at conferences, or for hands-free broadcasting at home.

TW BROADCASTER™ SINGLE-PHONE EDITION MOUNTS



RM179
TW Broadcaster
Sticky Suction Phone Mount



TWBRV01
TW Broadcaster Tripod Phone Mount
with Sonic Shutter Ultrasonic Remote



TWBMAG
TW Broadcaster Sticky Suction
Magnetic Phone Mount

CAMERA HOT SHOE MOUNTS FOR PHONE OR GOPRO® HERO®



BRANDEE ANTHONY
Photographer & Artist



GPHOTSHOE
Camera Hot Shoe Mount
Adapter for GoPro® HERO®



MG2HOTSHOE
Camera Hot Shoe Universal
Phone Holder Mount Adapter

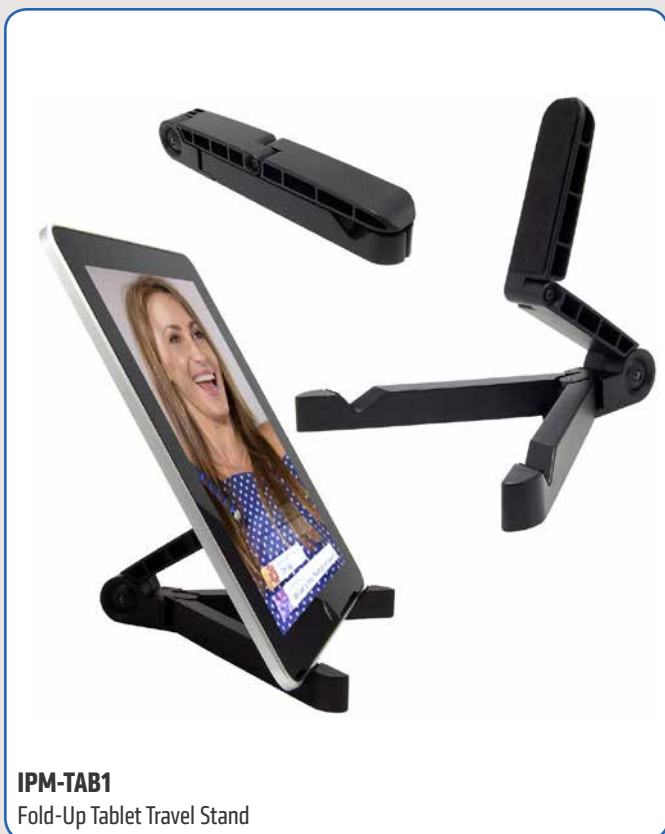


MAGHOTSHOE
Camera Hot Shoe Magnetic
Phone Holder Mount Adapter

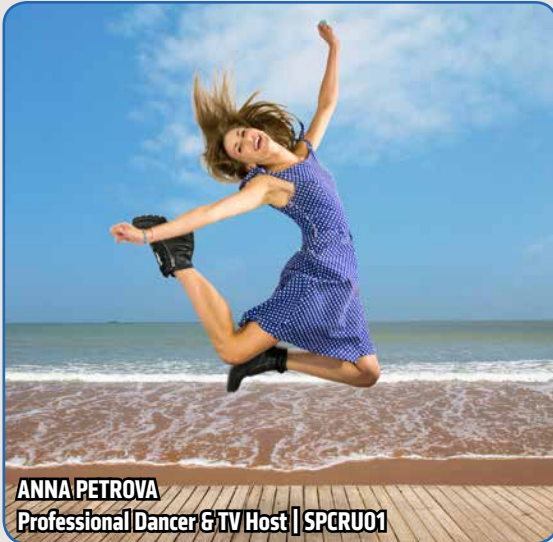
MIDSIZE TABLET & PHONE FLOOR STANDS



TABLET TRAVEL OR DESK STANDS



SONIC SHUTTER ULTRASONIC PHONE CAMERA REMOTE



ANNA PETROVA
Professional Dancer & TV Host | SPCR001

SPCR001
Sonic Shutter Ultrasonic Remote



If you love taking selfies, the Sonic Shutter is the must-have accessory for your iPhone® or Android phone. No, it's not a Bluetooth remote. Instead, it's an ultrasonic remote for your phone's camera. It does not need to be paired with your phone.

The ultrasonic remote works with the Sonic Shutter app, which can easily be downloaded from the Google Play Store or the Apple App Store. There are two modes, Photo or Video. To take a picture, open the app and push the Sonic Shutter button for that perfect selfie. In video mode, push the button to start the video and then again when you want it to stop.

Photos and video taken with the app are stored on your phone's camera roll for easy access. Features include a timer, zoom, flash on/off, and automatic focus.

CAR PHONE MOUNTS & CHARGING ACCESSORIES
#DONTSCOPEANDDRIVE #DONTSTREAMANDDRIVE

MG279
Sticky Suction Car Windshield or Dash Mount

IBA-33450
iBolt iPro2™ Charging Car Dock Kit

IBM-33751
iBolt mPro NFC™ Android Charging Car Dock Kit

CLA21228
Lighter Socket Charger with 3 USB Ports

- Input Voltage 9V-24V
- Output Voltage Max 5V DC 3.1A
- Compact Design with Color LED Power Indicator

IBA-41400-B
6.5' USB to Lightning Cable

CAUSBMC6
6' USB to Micro USB Cable

CUSTOM TW BROADCASTER™ TRICASTERS



KIM COLES
Actress, Comedienne, Entrepreneur, & Speaker



JOEL COMM
Author, Speaker, & Social Influencer

The recent introduction of new apps (Busker, Facebook Live, Live.me) poses a significant dilemma to social media marketers and live streaming pros. Broadcasting on one platform such as Periscope clearly limits your reach. Fortunately, connecting to a larger audience does not require any additional effort. However, the right tool for the job is essential.

Joel Comm was the first to approach Arkon with a custom “Tricaster” request. Wanting to live stream on multiple platforms simultaneously, he desired to mount an iPad® side-by-side with an iPad mini™ and iPhone®. Utilizing its vast experience, Arkon rose to the challenge and provided the perfect high-quality solution. Kim Coles wanted to hold three iPhones side-by-side so that she could reach her Periscope, Facebook Mentions, and Facebook Live audiences. We applaud these live streaming renegades who embrace all that live streaming has to offer. With so many device combinations, you may have your own custom mount needs. Contact Arkon’s sales department to make it happen.

CUSTOM MAGNETIC PHONE & TABLET HEIGHT-ADJUSTABLE FLOOR STAND



BABBLE ON, BROOKE
Host & Spokesperson Turned Spinal Injury Warrior

Babble On, Brooke is a host/spokesperson turned spinal injury warrior who uses a highly-customized Arkon mount to live stream. Like many others with disabilities that are housebound, Brooke loves connecting to the outside world, and is a frequent dual broadcaster. Her story is one of courage and inspiration.

One of the problems with traditional gripping-style holders is that they may require a significant amount of hand strength and/or energy to insert or remove the phone or tablet from the holder. Confronted with this problem, Arkon’s VP Aaron Roth set out to create a truly unique solution that would hold Brooke’s two devices securely.

Brooke’s one-of-a-kind Magnetic Phone and iPad mini Floor Stand is a great example of how Arkon can create uniquely tailored solutions by utilizing stands, holders, and adapters from its more than 500+ product assortment. For Brooke, this amazing Arkon mount facilitates and enables enjoyment and ease-of-use allowing her to broadcast more frequently. It was created using the following Arkon mounts:

- TAB-STAND1 (1) Floor Stand 2’ to 4’ Height Adjustable
- SP-MAGKIT (5) Spare Part - Magnetic Mount Adapter Head
- APEQUIP (2) Multi-Device Holder Metal Splitter Bar
- RM0862T (2) Robust Clamp Mount
- SP25MM17 (1) Spare Part - 25mm to 17mm Swivel Ball Adapter
- APAMPS17MM (4) 4-Hole AMPS Adapter Plate to 17mm Swivel Ball
- SP-12M-4M7 (4) 4-Pack of Nuts and Bolts for Arkon Adapters
- SP-RM200 (1) Spare Part - Robust Mount Standard 6.5" Shaft
- SP25MM25 (1) Spare Part - 25mm to 25mm Swivel Ball Adapter

FLEET



ARKON® MOUNTS

Mounting Solutions & Accessories

PRODUCT CATALOG

Arkon stands behind the quality of its products and strives to ensure that customers have a positive experience. We provide a **2-year limited warranty** on our products.











The Best Commercial Trucking Mounting Solutions

This catalog is intended to spotlight an assortment of mounting products and accessories for use in commercial vehicles, which include dashboard, console, cup holder, and seat rail mounts. Arkon's complete product selection includes more than 500 products, many of which can be mixed and matched to meet your specific needs.

FULL-SERVICE SOLUTIONS

We pride ourselves in offering full solutions for your unique mounting needs. We've been in business for over 29 years and have the experience to anticipate and provide the solutions that you'll need: a heavy-duty pedestal that will hold up over multiple uses and limit vibration, a sturdy cradle that will hold your device securely and can be locked if needed, and quality accessories, such as cases, adapters, and power solutions.

TABLE OF CONTENTS

 Device Holders	4-7
 Custom Fit Solutions	8-10
 Secure Drill-Base Mounts	11-12
 Accessories	13-15
 Drill-Base Mounts	16-21
 Seat Rail Mounts	22-27
 Cup Holder Mounts	28-29
 Windshield Mounts	30-31

ARKON MOUNTS ARE COMPATIBLE WITH YOUR EXISTING MOUNTS

Even if your company has existing mounts in place, Arkon Mounts can still help with replacement parts. Our unique line of mix-and-match products provide an incredible amount of flexibility and are compatible with mounts from other manufacturers.



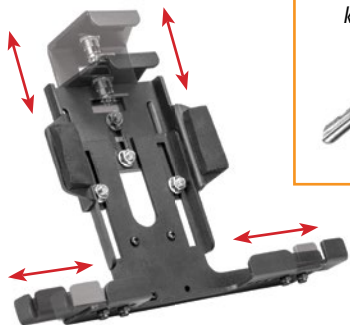
Holders

Arkon offers a wide selection of universal device holders for tablets, smartphones, portable ELD devices, GPS, and more. A range of options are available, depending on your needs and budget. The holders on the next three pages can be adjusted to hold various sizes of tablets and other devices. Choose from locking or non-locking models, as well as from metal or heavy plastic. Pair any of these with the Pedestals found on pages 18, 20, and 23-25 to create the perfect solution.

TAB004KL-B

Universal Metal Locking Tablet Holder with Key Lock

- Fits tablets up to 10" screen size
- Included keys secure tablet



keys included

**Dimensions:**

Min. width: 7.75" (197mm)
 Max. width: 10.25" (260mm)
 Min. height: 5.0" (127mm)
 Max. height: 8.63" (219mm)
 Depth: .88" (22mm)

Coming Soon: Large Universal Metal Locking Tablet Holder with Key Lock

- Fits tablets up to 12" x 9.5"

Model **TAB004KL-B** Universal Metal Locking Tablet Holder features a 4-Hole AMPS pattern (rectangular pattern spaced at 30.17mm by 38.05mm) and is compatible with all of Arkon's AMPS pattern pedestals, including those found on pages 18, 20, and 23-25.

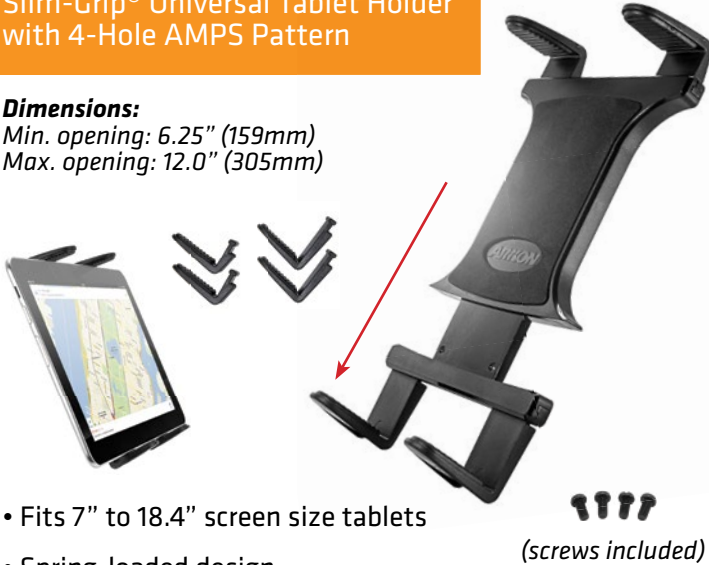
TAB001-AMPS

Slim-Grip® Universal Tablet Holder
with 4-Hole AMPS Pattern

Dimensions:

Min. opening: 6.25" (159mm)

Max. opening: 12.0" (305mm)



- Fits 7" to 18.4" screen size tablets
- Spring-loaded design
- Customizable support legs (4 short/2 medium/4 long) and stoppers included for a secure fit

(screws included)

Also available: TAB001

Slim-Grip® Tablet Holder with Dual-T Pattern

TAB003

Universal Tablet Push-Button Holder

Dimensions:

Holder height: 6.0" (152mm)

Holder width: 4.6" (117mm)

Max. extension: 9.0" (223mm)



- Compatible with Arkon Dual-T pattern pedestals
- One-touch push-button releases the holder's grip arm
- Fits 7" to 12.9" screen size tablets

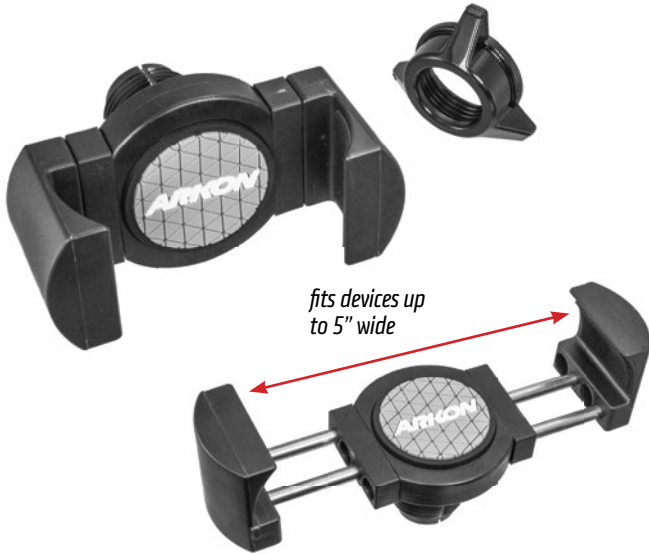
RVXLWR-B

RoadVise™ XL Phone and
Midsize Tablet Holder

Dimensions:

Min. extension: 2.5" (64mm)

Max. extension: 5.0" (127mm)



- Fits devices 2.65" to 5" wide
- Not recommended for devices measuring less than 2.64" wide

SM060-2

Slim-Grip® Ultra™ Universal Phone
and Midsize Tablet Holder

Dimensions:

Min. extension: 4.25" (108mm)

Max. extension: 7.5" (190mm)



- Fits devices up to 7.5" tall
- Spring-loaded holder
- Customizable support legs (4 short/2 medium/4 long) and stoppers included for a secure fit

LBFLXTABE-MAGKIT

4-Hole AMPS Drill-Base Tablet Lock Box FLEX Mount Bundle for Samsung Galaxy Tab® E 8.0



security hardware prevents theft



keys included



BUNDLE INCLUDES:

- Custom fit Tab E 8.0 rugged case with integrated hand strap
- Locking mounting cradle
- Quick Connect Magnetic Power System with Fixed Install Power Harness 5V/2.4A (see page 9)
- Fixed install power or charge cable
- Metal AMPS double rubber ball mounting system
- Security hardware

QUICK CONNECT MAGNETIC SYSTEM

The Quick Connect Magnetic System is designed to protect the charging port and eliminate damage to the tablet. This connector plugs into the charging port of your device. The operator will never have to unplug the connector from the device.



TCSTABE8

Case for Samsung Galaxy Tab® E 8.0



Pair your Samsung Galaxy Tab® E 8.0 tablet with Arkon's **TCSTABE8** case. This sturdy black TPU + PC case is custom-made for the Tab E 8.0 (measures 8.34" x 4.96" x .45") and features dual layer protection, with a rubber outside layer and plastic inside layer. Keep your Tab E 8.0 secure with our **TAB004KL-B** Universal Metal Locking Tablet Holder pictured here and shown in Models **TAB4METKL** (page 11) and **TAB42AMPSUSB** (page 12). The case also includes a kickstand for ease of use when not in the holder.

TAB4METKL

Universal Metal Locking Tablet Mount
with 4-Hole AMPS Drill Base

- Metal drill base with double rubber ball
- 360° swivel adjustment
- Fits devices with 7" to 10.1" screen size
- Universal adjustable cradle
- Key lock with keys
- Compatible with cases



For more information on Arkon's locking tablet holder (Model TAB004KL-B) see page 5.

TAB42AMPSUSB

Universal Metal Locking Tablet Mount
with Charging Cables



BUNDLE INCLUDES:

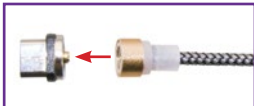
- Metal drill base with double rubber ball
- Universal adjustable cradle
- Key lock with keys
- Hardwire 2.4A charger
- USB to Micro USB cable (3 foot)



For more information on Arkon's locking tablet holder (Model TAB004KL-B) see page 5.

CAMAG1M

Magnetic Charge Cable with Micro USB Adapter



- Data transfer cable also available
- Apple Lightning® and USB Type-C adapters also available

APMAMPS25MM

Metal 4-Hole AMPS to 25mm (1 inch) Ball Adapter



- Use with Arkon Robust Mount Series
- Metal adapter provides added strength

APMAMPS38MM

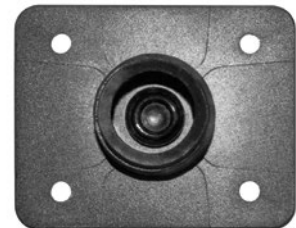
Metal 4-Hole AMPS to 38mm (1.5 inch) Ball Adapter



- Compatible with RAM Mount pattern
- Metal adapter provides added strength

APMAMPSZM3

Metal 4-Hole AMPS to Zirkona MAX3 Female Thread Adapter



- Compatible with Zirkona MAX3 pattern mounts
- Metal adapter provides added strength

CAVPA1

5V/2.4 AMP Hardwire/Fixed Install Kit

- Compatible with Samsung and Apple®
- NAC certified
- Internal and external fuse for added protection
- 90-minute ignition sense timer

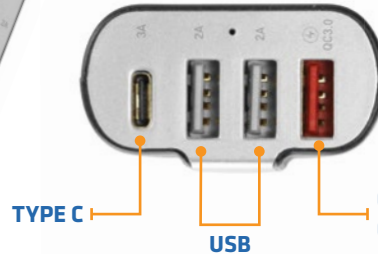


- Female USB to hardwire
- 6 foot (1.8 meters)
- Input: 12V - 24V
- Output: 2.4A - 5V

CLA40405

4-Port Car Charger

- Charges up to four powered devices simultaneously
- Includes USB, USB-C, and Qualcomm® Quick Charge™ Ports
- Input: 12V - 24V
- Output Max: 5V 10A



TYPE C

USB

QUALCOMM®
QUICK CHARGE™ 3.0



CLAIQ48

Double USB Car Charger

- Two USB ports for simultaneous charging of two devices
- Input: DC 12-24V
- Output: DC 5V 4.8A
- FCC CE ROHS certified



CAUSBMC90

USB to Micro USB Cable

- 3 foot (0.9 meter)
- With 90-Degree overmold
- 20 AWG (Power) + 28 AWG (Data)
- For up to 2.1A chargers



IBA-41400-B

USB to Apple Lightning® Cable

- 6.5 foot (2 meters)
- MFI Certified for iPhone®, iPad®
- For up to 2.1A chargers



CAUSBMC3

USB to Micro USB Cable

- 3 foot (0.9 meter)
- For up to 2.1A chargers



TAB805

10" Heavy-Duty Aluminum Tablet Mount with 4-Hole AMPS Drill Base



pedestal measures 10" end to end



2 ball adjustment points

- Fits tablets 8.9 to 18.4 inches in screen size
- Customizable support legs (4 short/2 medium/4 long) and stoppers included for a secure fit
- Drill base recommended for permanent installations

TAB806

9" Heavy-Duty Aluminum Tablet Mount with Multi-Angle Arm and 4-Hole AMPS Drill Base



pedestal measures 9" end to end



(screws & anchors included)



3 adjustment points

- Fits tablets 8.9 to 18.4 inches in screen size
- Customizable support legs (4 short/2 medium/4 long) and stoppers included for a secure fit
- Drill base recommended for permanent installations



DRILL-BASE MOUNTS

RM2XAMPS

Robust 4-Hole AMPS
Drill-Base Mount

*measures 5" (127mm)
end to end*



- Double ball adjustment
- Security hardware available

Also available: RMS2XAMPS

Robust 4-Hole AMPS Drill-Base Mount with Small
Shaft and Metal 4-Hole AMPS Head

RM2XAMPS-MET

Robust 4-Hole
AMPS Drill-Base
Mount with Metal
4-Hole AMPS Head

*measures 5" (127mm)
end to end*



- Metal 4-Hole AMPS provides added strength
- Double ball adjustment
- Security hardware available

Also available: RM2XAMPS-MET-SH

Robust 4-Hole AMPS Drill-Base Mount with Metal
4-Hole AMPS Head and Security Hardware

TABRMAMPS-MET

Robust Tablet Mount with Metal
4-Hole AMPS Drill Base



- Metal 4-Hole AMPS provides added strength
- Fits tablets 8.9 to 18.4 inches in screen size
- Customizable support legs (4 short/2 medium/4 long) and stoppers included for a secure fit

XLRMAMPS

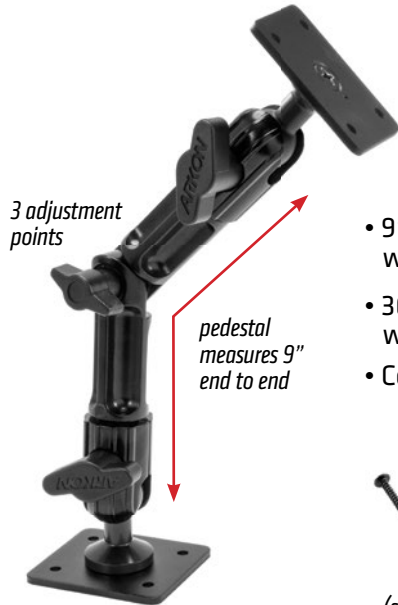
Robust Phone and Midsize Tablet
Mount with 4-Hole AMPS Drill Base



- Fits devices 2.65" to 5" wide
- Not recommended for devices measuring less than 2.64" wide

HD006AMPS

9" Multi-Angle Aluminum 4-Hole
AMPS Drill-Base Mounting Pedestal
with AMPS Head



3 adjustment
points

pedestal
measures 9"
end to end

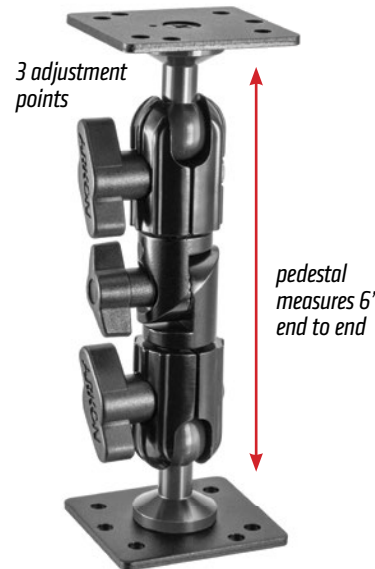
- 9" aluminum drill base with articulating arm
- 360° double ball rotation with tilt top and bottom
- Center pivot joint



(screws & anchors included)

HD010AMPS

6" Multi-Angle Aluminum 4-Hole
AMPS Drill-Base Mounting Pedestal
with AMPS Head



3 adjustment
points

pedestal
measures 6"
end to end

- 6" aluminum drill base with articulating arm
- 360° double ball rotation with tilt top and bottom
- Center pivot joint



(screws & anchors included)



RM6AMPS2T

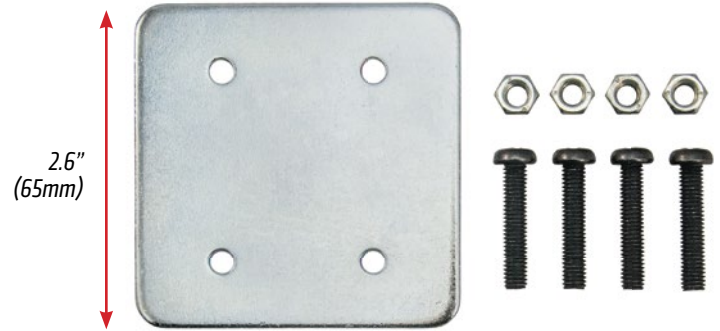
Robust 4-Hole AMPS Drill-Base Mount
for Midsize Tablet or Smartphone



- Holds devices up to 7.5" tall
- Spring-loaded holder
- Customizable support legs included

SPAMPSPLATE

Square Mounting Backer Plate with
4-Hole AMPS Drill Base Pattern



- Provides a solid mounting surface when attaching a heavy-duty mount

Also available: APEQUIPXL

13.75" x 2" Metal Equipment Mounting Plate

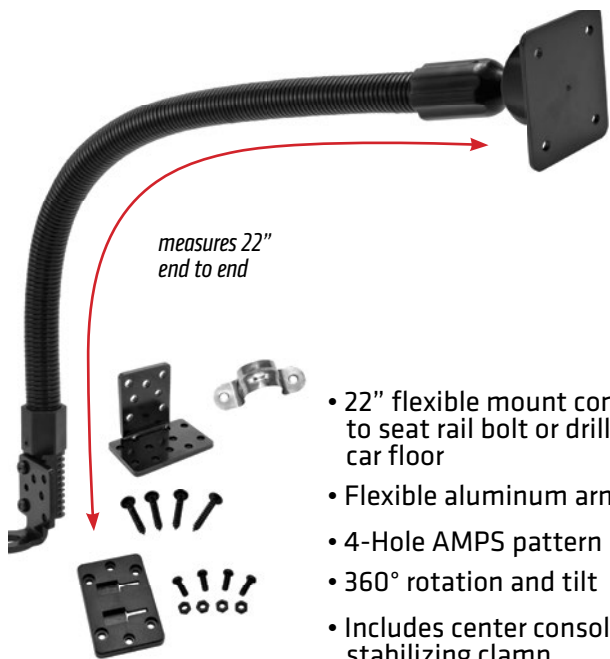
- Mount multiple devices side by side



All of Arkon's pedestals can be mixed and matched with our selection of tablet holders. Pictured here is Pedestal Model **GN092-L23-AMPS** with Model **TAB004KL-B** Tablet Holder.

GN088-SBH-AMPS-L22

22" Car Seat Rail or Floor Mount
with Flexible Gooseneck

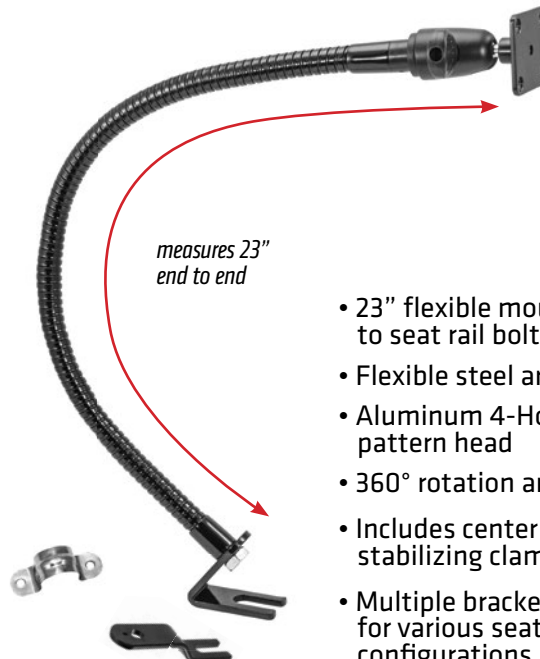


*measures 22"
end to end*

- 22" flexible mount connects to seat rail bolt or drills into car floor
- Flexible aluminum arm
- 4-Hole AMPS pattern head
- 360° rotation and tilt
- Includes center console stabilizing clamp

GN092-L23-AMPS

23" Seat Rail Mount with Flexible
Metal Gooseneck and AMPS Head

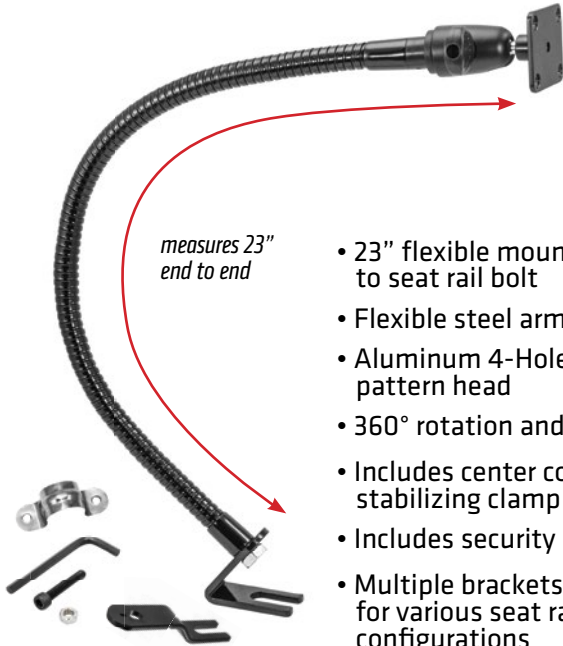


*measures 23"
end to end*

- 23" flexible mount connects to seat rail bolt
- Flexible steel arm
- Aluminum 4-Hole AMPS pattern head
- 360° rotation and tilt
- Includes center console stabilizing clamp
- Multiple brackets included for various seat rail configurations

GN092-L23-AMPS-SH

23" Seat Rail Mount with Flexible Metal Gooseneck and AMPS Head with Security Hardware

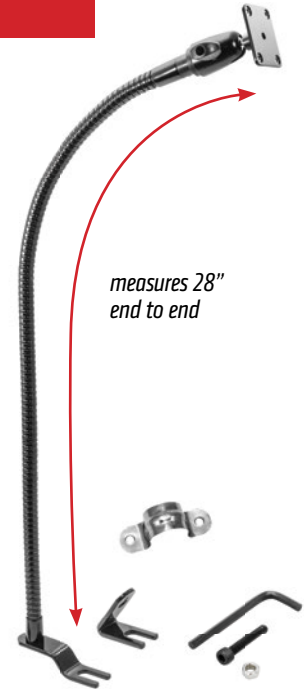


*measures 23"
end to end*

- 23" flexible mount connects to seat rail bolt
- Flexible steel arm
- Aluminum 4-Hole AMPS pattern head
- 360° rotation and tilt
- Includes center console stabilizing clamp
- Includes security hardware
- Multiple brackets included for various seat rail configurations

GN092-L28-AMPS-SH

28" Seat Rail Mount with Flexible Metal Gooseneck and AMPS Head with Security Hardware



*measures 28"
end to end*

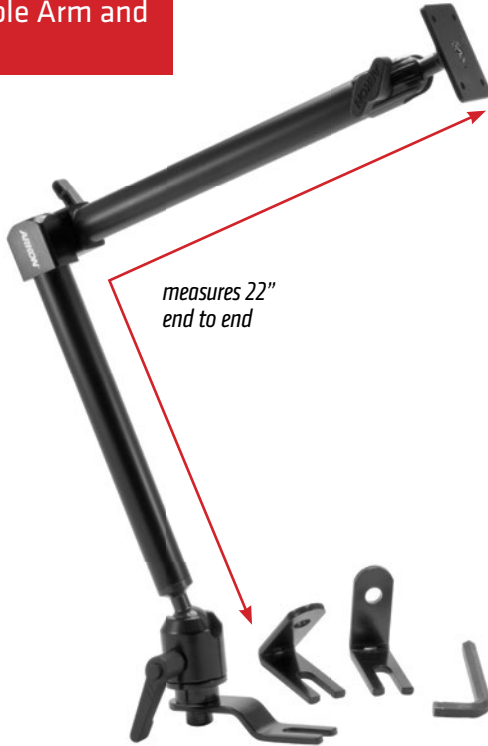
- 28" flexible mount connects to seat rail bolt
- Flexible steel arm
- Aluminum 4-Hole AMPS pattern head
- 360° rotation and tilt
- Includes center console stabilizing clamp
- Includes security hardware
- Multiple brackets included for various seat rail configurations

HD001-AMPS

22" Aluminum Seat Rail Mounting
Pedestal with Adjustable Arm and
4-Hole AMPS Head

3 adjustment points

measures 22"
end to end



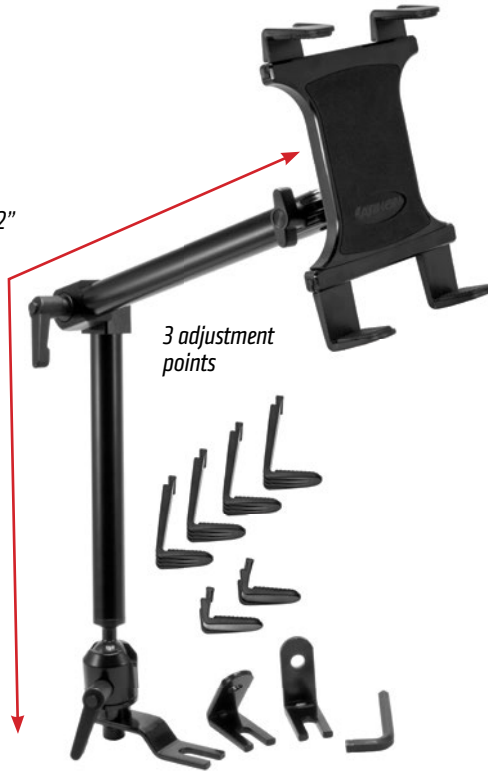
- 22" mount connects to seat rail bolt
- Aluminum 4-Hole AMPS pattern head
- 360° rotation and tilt
- Multiple brackets included for various seat rail configurations

TAB801

22" Heavy-Duty Aluminum Seat Rail Mount with Adjustable Arm



*pedestal
measures 22"
end to end*



- 3 adjustment points
- Multiple brackets included for various seat rail configurations
- Tablet holder fits tablets 7" to 18.4" screen size
- Spring-loaded design
- Customizable support legs (4 short/2 medium/4 long) and stoppers included for a secure fit

TAB-FSM

18" Universal Seat Rail or Floor Tablet Mount with Flexible Gooseneck

*pedestal
measures 18"
end to end*



- 18" flexible mount connects to seat rail bolt or drills into car floor
- Tablet holder fits tablets 7" to 18.4" screen size
- Spring-loaded design
- Customizable support legs (4 short/2 medium/4 long) and stoppers included for a secure fit
- Optional metal conduit helps minimize vibration

Arkon's popular cup holder mount is a great choice for those who want their device at eye level but don't want it on the dash or windshield. The mount can be configured to hold large tablets (Model **TABRM023**) as well as phones and midsize tablets (Model **XLRM023**). Or, pair the cup holder pedestal with another holder of your preference. The mount's base expands to fit cup holders up to 3.5" in diameter.



TABRM023 Robust Car Cup Holder Tablet Mount



- Slim-Grip® Tablet Holder fits tablets 7" to 18.4" screen size
- Spring-loaded design
- Customizable support legs (4 short/2 medium/4 long) and stoppers included for a secure fit



XLRM023

Robust Car Cup Holder Mount for Midsize Tablets and Phones



*pedestal
measures 9.5"
(241mm)
end to end*

- RoadVise™ XL Holder fits phones and midsize tablets 2.65" to 5" wide
- Not recommended for devices smaller less than 2.64" wide
- Spring-loaded design

RM0232T-B

Robust Car Cup Holder Mounting Pedestal with Dual-T Pattern Head



*pedestal
measures 9.25"
(241mm)
end to end*

- Compatible with Arkon Dual-T pattern holders



RM60802T

Robust Windshield Suction Phone and Midsize Tablet Mount

*pedestal measures 4"
(102mm) end to end*



- 80mm TPU suction base
- Fits phones and midsize (7-8") tablets up to 7.5" tall
- Spring-loaded holder
- Customizable support legs (4 short/4 long) and stoppers are included for a secure fit

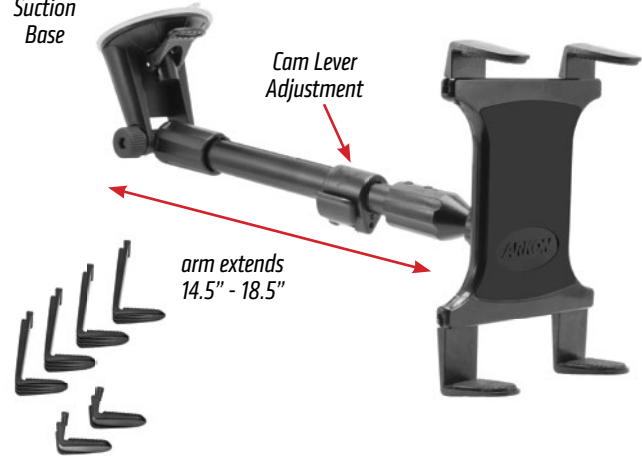
TAB-CM117

Windshield Suction Extension Tablet Mount

*PVC
Suction
Base*

*Cam Lever
Adjustment*

*arm extends
14.5" - 18.5"*



- Fits large tablets 8.9 to 18.4 inches in screen size
- Support legs are customizable and adjustable
- Ideal for trucks, vans, or delivery vehicles with deep dashboards

The Tablet Mounting Specialists™



Fleet



Smartphone



AMPS



VESA



Camera



Tablet



ARKON® MOUNTS

Robust Mount Series

25mm (1 inch) | 38mm (1.5 inch)
Double-Ball Socket Mounts



Quality, Innovation, & Value

ARKON ROBUST MOUNT SERIES CATALOG

Arkon's versatile Robust Mount Series is the preferred choice of enterprise customers. This catalog features our complete selection of Robust tablet, smartphone, camera mounts, as well as holders and adapters that are compatible with our Robust Mount offering.

This rugged and durable product line can be used in a variety of environments, including:

- Agriculture
- Aviation
- Commercial Trucking
- Construction
- Material Handling
- Paratransit
- Power Sports
- Public Safety
- Taxicabs
- Tow Trucks
- Warehouse

Arkon's Robust Series is compatible with third-party mounts and adapters having the 25mm (1 inch) ball or 38mm (1.5 inch) ball pattern.

ARKON'S COMMITMENT TO CUSTOMERS

Arkon stands behind the quality of its products and strives to ensure that customers have a positive user experience. We provide a 2-year limited warranty on all of our products.

ADDITIONAL MARKETING RESOURCES

Access Arkon's product images, user manuals, and other marketing content on our comprehensive FTP site. Keep track of new product releases and other information by subscribing to our quarterly e-newsletter, *The Arkon Insider*. Contact your Arkon account manager for additional information.

CUSTOM SOLUTIONS AVAILABLE

Our unique mix-and-match mounting system means you can create the solution that fits your needs. In addition to the selection of mounts in this Robust Mount Series Catalog, Arkon's complete product offering of more than 500 products can be used in various customized environments. Minimum order quantities may apply. Contact one of our account managers, who can help you identify the exact mount for your needs.

TABLE OF CONTENTS

Robust Mount Shafts	3	Camera Mounts	22
Tablet Holders	4	GPS Mounts	23
Locking Tablet Holders.....	5	AMPS Pedestals	24
Phone and Midsize Tablet Holders.....	6	Suction Pedestals	25
Locking Tablet Mounts	8	Handlebar Pedestals.....	26
Powered Tablet Mounts.....	10	Seat Rail Pedestals	27
Tablet Mounts	13	Other Pedestals	27
Phone and Midsize Tablet Mounts.....	16	25mm Spare Parts and Adapters	28
Forklift Mounts	17	38mm Spare Parts and Adapters	30
Cup Holder Mounts	21	Security Hardware Kits.....	31

ROBUST MOUNT SHAFTS

All products in Arkon's Robust Mount Series feature the distinctive Robust Shaft, providing heavy-duty double-ball adjustment. To begin the process of selecting the mount of your choice, choose from three different sizes, in aluminum or composite:



SP-RMS250

Material: Composite
Compatible with 25mm
(1 inch) Ball Components
Shaft Height: 2.75 inches
(70mm)



SPRMSMET-B

Material: Aluminum
Compatible with 25mm
(1 inch) Ball Components
Shaft Height: 2.75 inches
(70mm)



SP-RM250

Material: Composite
Compatible with 25mm
(1 inch) Ball Components
Shaft Height: 3.75 inches
(95mm)



SPRMET-B

Material: Aluminum
Compatible with 25mm
(1 inch) Ball Components
Shaft Height: 3.75 inches
(95mm)



SPRM38MM

Material: Aluminum
Compatible with 38mm
(1.5 inch) Ball Components
Shaft Height: 5.0 inches
(127mm)

SECURITY KIT AVAILABLE



SP-RMSH-KIT

Hardware kits are available to convert Robust Shafts for use in settings needing a secure mounting solution. See page 31.

TABLET HOLDERS



Model FLRM38TAB1

TAB001-AMPS

Slim-Grip® Universal Tablet Holder with 4-Hole AMPS Pattern



- Fits 7" to 18.4" screen size tablets, including iPad Pro™
- Spring-loaded design
- Customizable support legs (4 short/2 medium/4 long) and stoppers included

Dimensions:

Holder height: 6.75" (171mm)
 Holder width: 4.6" (117mm)
 Max. extension: 7.75" (197 mm)
 Holder height, long legs: 7.5" (191mm)
 Max. extension, long legs: 11.75" (298mm)



Spring-loaded holder with adjustable legs for maximum versatility



Includes:
5 Rubber Stoppers

TAB003

Universal Push-Button Tablet Holder



- Fits tablets 9" to 12" screen size
- Spring-loaded design
- One-touch push-button releases holder's grip arm

Dimensions:

Holder height: 6.0" (152mm)
 Holder width: 4.6" (117mm)
 Max. extension: 8.3" (211mm)



Also Available:

TAB001

Slim-Grip® Universal Tablet Holder with Dual T-Slot Pattern

TAB004KL-B

Universal Metal Locking Tablet Holder with Key Lock

- Fits tablets up to 10" screen size
- Included keys secure tablet
- Connects to pedestals with 4-Hole AMPS

Dimensions:

Min. width: 4.69" (119mm)
 Max. width: 7.50" (191mm)
 Min. height: 7.88" (200mm)
 Max. height: 10.38" (264mm)
 Depth: .88" (22mm)



AMPS

TAB4XLKL-B **NEW**

Extra-Large Universal Metal Locking Tablet Holder with Key Lock

- Fits tablets 10" to 12.9" screen size
- Included keys secure tablet
- Connects to pedestals with 4-Hole AMPS

Dimensions:

Min. width: 4.69" (119mm)
 Max. width: 8.75" (222mm)
 Min. height: 9.88" (251mm)
 Max. height: 12.25" (311mm)
 Depth: .88" (22mm)



AMPS

TAB005KL-B **NEW**

Universal Plastic Locking Tablet Holder with Key Lock

- Fits tablets 7" to 10" screen size
- Included keys secure tablet
- Connects to pedestals with 4-Hole AMPS

Dimensions:

Min. width: 7.75" (197mm)
 Max. width: 12.0" (305mm)
 Min. height: 5.5" (140mm)
 Max. height: 8.5" (216mm)
 Depth: 1.0" (25mm)



AMPS

PHONE AND MIDSIZE TABLET HOLDERS



Model RVXLRM8825

RVXLWR

RoadVise® XL Phone and Midsize Tablet Holder



- Fits devices up to 5" wide
- 17mm ball mounting pattern



Dimensions:

Max. height: none
 Max. width: 5.0" (127mm)
 Max. device weight: 2lbs.

RV001WR

RoadVise® Universal Phone Holder



- Fits devices up to 4" wide
- 17mm ball mounting pattern



Dimensions:

Max. height: none
 Max. width: 4.0" (102mm)
 Max. device weight: 2lbs.

PHONE AND MIDSIZE TABLET HOLDERS

MG002WR

Mobile Grip Universal Phone Holder



- Fits phones up to 3.6" wide
- 17mm ball mounting pattern



Dimensions:

Holder height: 1.4" (35mm)
 Holder depth: .75" (19mm)
 Min. device width: 2.4" (60mm)
 Max. device width: 3.6" (91mm)

SM040-2

Mega Grip Universal Phone Holder



- Dual T-Slot mounting pattern



Dimensions:

Holder Height: 4.0" (102mm)
 Holder depth: 1.0" (25mm)
 Side grip arms, closed: 2.25" (57mm)
 Side grip arms, opened: 3.5" (89mm)

SM060-2

Slim-Grip® Ultra™ Universal Midsize Tablet and Phone Holder

- Fits devices up to 8" screen size
- Dual-T pattern compatible
- Spring-loaded design
- Customizable support legs (4 short/4 long) and stoppers included



Includes:
 5 Rubber Stoppers



Dimensions:

Holder width: 2.4" (60mm)
 Holder height: 4.25" (108mm)
 Holder height, long legs: 5.5" (140mm)
 Max. extension: 6.0" (152mm)
 Max. extension, long legs: 7.5" (190mm)

LOCKING TABLET MOUNTS

TAB4METKL

Universal Metal Locking Tablet Mount with 4-Hole Metal AMPS Base

- Fits tablets up to 10" screen size
- Included keys secure tablet
- 4-Hole AMPS drill base



Also available:

TAB4XLMETKL

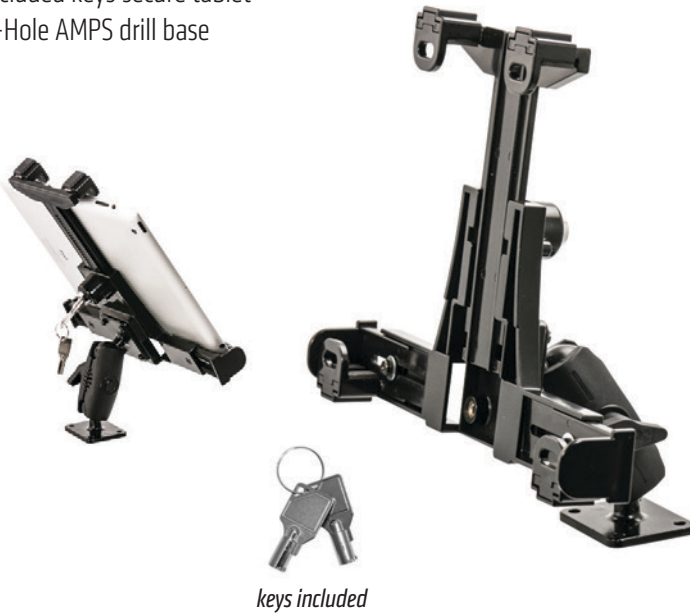
Extra-Large Universal Metal Locking Tablet Mount



TAB5METKL **NEW**

Universal Plastic Locking Tablet Mount with 4-Hole Metal AMPS Base

- Fits tablets 7" to 10" screen size
- Included keys secure tablet
- 4-Hole AMPS drill base



LOCKING TABLET MOUNTS

TAB4RMSHM4

Locking Headrest Tablet Mount

- Attaches onto most 2-post style headrests
- Security hardware kit included



TAB5RMSHM4

Plastic Locking Headrest Tablet Mount

- Attaches onto most 2-post style headrests
- Security hardware kit included



TAB48825MM **NEW**

Universal Metal Locking Seat Rail or Floor Tablet Mount

- Optional floor brackets included for drilling into vehicle floor
- Security hardware kit included



TAB58825MM **NEW**

Universal Plastic Locking Seat Rail or Floor Tablet Mount

- Optional floor brackets included for drilling into vehicle floor
- Security hardware kit included



POWERED TABLET MOUNTS

LB2000C **NEW**
GPS LOCKBOX Mount for Samsung Tab A 8.0

Includes:

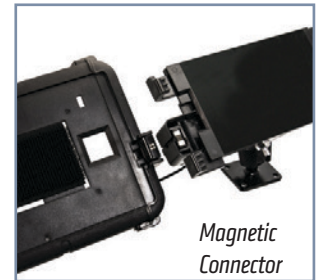
- Lock box and case with keys
- Hardwire 2.4A charger
- Magnetic changing insert module



keys included



Hand strap included



Magnetic Connector

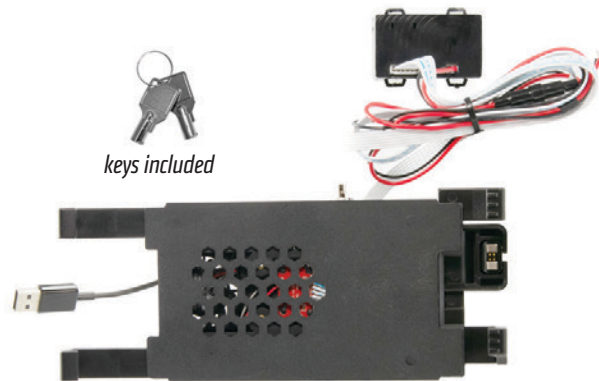
Also available:

LB1000C
GPS LOCKBOX Mount for Samsung Tab E 8.0

LBATMOS **NEW**
GPS LOCKBOX Atmos Heating/Cooling Holder for Tab E 8.0

- Temperature regulation system for vehicle-mounted tablets
- Maintains tablet battery temperature at 50-80 degrees
- Compatible with Tab E Lock Box models

Built-in Fan



keys included

Also available:

LBATMOSA **NEW**
GPS LOCKBOX Atmos Heating/Cooling Holder for Tab A 8.0

LBAMPSPKR **NEW**
GPS LOCKBOX Push-to-Talk Amplified Speaker for Tab E 8.0 and Tab A 8.0

- Optional add-on allows tablet to double as push-to-talk device
- Compatible with Tab E and Tab A Lock Box models



POWERED TABLET MOUNTS

LBRM8825MM **NEW**

Seat Rail or Floor Tablet Lock Box Mount for Samsung Tab E 8.0

Includes:

- Lock box and case with keys
- Hardwire 2.4A charger
- Magnetic charging insert module
- Locking hardware
- Flexible seat rail floor mount



20.5" H
(521mm)



keys included



Hand strap included

LBFLXTABA-L23 **NEW**

Seat Rail Tablet Lock Box Mount Bundle for Samsung Tab A 8.0

Includes:

- Lock box and case with keys
- Hardwire 2.4A charger
- Magnetic charging insert module
- Locking hardware
- 23" Flexible seat rail floor mount
- Optional drill base pedestal



measures 23"
end to end



keys included



Optional drill-base
pedestal included



Hand strap included

Also available:

LBFLXTABE-L23

23" Seat Rail Tablet Lock Box Mount Bundle for Samsung Tab E 8.0

POWERED TABLET MOUNTS

TAB42AMPSUSB

Universal Metal Locking Tablet Holder with 4-Hole AMPS Drill Base

- Fits tablets up to 10" screen size

Includes:

- Hardwire 2.4A charger (9 foot)
- USB to Micro USB cable (3 foot)



Also available:

TAB42AMP SHW

Universal Metal Locking Tablet Mount with 4-Hole AMPS Metal Base and Fixed Install and Lightning® Cables

AIB751RM

Charging Car Dock Mount Bundle for Android Phones

Includes:

- mPro NFC™ Micro USB Car Dock (phone/case combinations from 4.7" to 5.75" wide)
- Windshield/Dash Sticky Suction Mounting Pedestal
- Adhesive Mounting Pedestal
- Adhesive Dashboard Mounting Disk
- Fixed Install USB Vehicle Power Adapter (12 - 24V Input, 2.4A Output)
- Robust 4-Hole AMPS Drill-Base Mounting Pedestal with 17mm Head

This enterprise bundle includes the mPro Android charging car dock, with four vehicle mounting options: sticky suction windshield or dash mount, dash adhesive mount, or 4-Hole AMPS drill-base mount.



Also available:

AIB450RM

Charging Car Dock Mount Bundle for Android Phones

Holder Fits Tablets 7" to 18.4" Screen Size

TABRMAMPS-MET

Tablet Mount with Metal 4-Hole AMPS Base



Also available:

TABRMAMPS

Tablet Mount with 4-Hole AMPS Base



TABRM2X023

Cup Holder Tablet Mount with Double Robust Shafts



Also available:

TABRM023

Cup Holder Tablet Mount - Single Robust Shaft



TABLET MOUNTS

Holder Fits Tablets 7" to 18.4" Screen Size

TABRM079

Universal Sticky Suction Windshield or Dash Tablet Mount



Also available:

TABRM080

Windshield Suction Tablet Mount

TABRM2X80 **NEW**

Double Windshield Suction Tablet Mount



TABRM086

Tablet Clamp Mount with Adjustable Base



C-Clamp Opening 0.25"-2.5" (6mm-64mm)

TABRMTRI

Universal Tablet Tripod Mount



Compatible with tripods with 1/4"-20 mounting bolt



TABLET MOUNTS

TAB18825MM **NEW**

Seat Rail or Floor Tablet Mount

- Fits 7" to 18.4" screen size tablets
- Spring-loaded design
- Customizable support legs (4 short/2 medium/4 long) and stoppers included
- Optional floor brackets included



21.25" H
(540mm)

Also available:

TAB188AMPS25 **NEW**

Seat Rail or Floor Tablet Mount
4-Hole AMPS Compatible

RVXLRM8825 **NEW**

RoadVise® XL Seat Rail or Floor Phone and Midsize Tablet Mount

- Optional floor brackets included
- Fits devices up to 5" wide

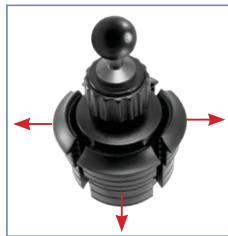


21.25" H
(540mm)

XLRM023

RoadVise® XL Phone or Midsize Tablet Cup Holder Mount

For devices up to 5" wide (127mm)



25mm cup holder base expands to fit up to 3.5" (89mm) diameter



XLRMAMPSMET

RoadVise® XL Metal 4-Hole AMPS Phone or Midsize Tablet Mount

For devices up to 5" wide (127mm)



Also available:

XLRMAMPS

RoadVise® 4-Hole AMPS Mount



PHONE AND MIDSIZE TABLET MOUNTS

SM68825MM **NEW**

Slim-Grip® Ultra™ Seat Rail or Floor Phone and Midsize Tablet Mount

- Floor brackets included
- Fits devices up to 8" screen size



RM60802T

Slim-Grip® Ultra™ Windshield Suction Phone or Midsize Tablet Mount



RM6AMPS2T

Slim-Grip® Ultra™ 4-Hole AMPS Phone or Midsize Tablet Mount



SM6RMTRI

Slim-Grip® Ultra™ Phone or Midsize Tablet Tripod Mount



RM40802T

Mega Grip Windshield Suction Phone Mount



SM48825MM **NEW**

Mega Grip Seat Rail or Floor Phone Mount

- Floor brackets included
- Fits phones up to 3.5" wide



SECURE MOUNTING FOR TOUGH ENVIRONMENTS

Arkon's Forklift Mounts are designed for mounting and securing phones, tablets, barcode scanners, radios, or other devices to a forklift, pallet jack, or other warehouse vehicle. Consisting of two steel plates with black powdercoat finish and accompanying mounting hardware, these forklift mounts are made with heavy gauge steel construction to last in tough environments, including construction sites, factories, and warehouses.

Mounts are available in two sizes:

Forklift Mounts (page 17 and 18): Each of the mount's steel plates weighs just over 3 pounds and measures 10" x 7" x 1/8" (254 x 178 x .13mm). Multiple size holes (4.9mm, 5.7mm, and 8.5mm) as well as hole patterns are pre-drilled into the plate, including 4-Hole AMPS, VESA 75, and VESA 100 for mounting multiple types of devices.

Forklift Pillar Mounts (page 19 and 20): Each of the mount's steel plates weighs just under half a pound each and measures 4" x 2.75" x 1/8" (102 x 70 x .13mm).

NEW Our 38mm forklift mounts (pages 18 and 20) feature Arkon's SPRM38MM Metal 38mm Robust Shaft and are available in both forklift and forklift pillar models.

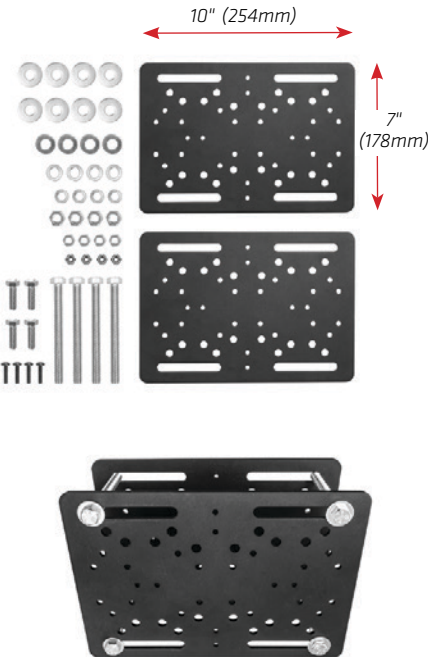
Installation is easy with no drilling required.

Common Mounting Locations

A Pillar B Overhead Guard



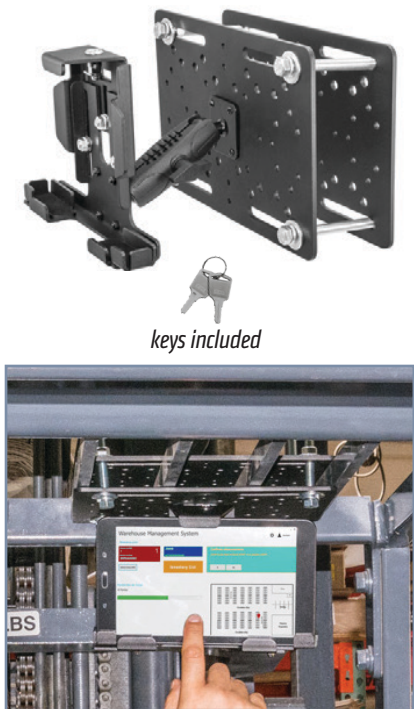
FLIFT01 Forklift Mount Plate Bundle



FLRMTAB01 Forklift Tablet Mount



FLRMTAB04 Locking Forklift Tablet Mount



FORKLIFT MOUNTS



FLB1000C
38mm Tablet Lock Box Forklift Mount for Samsung Tab E 8.0



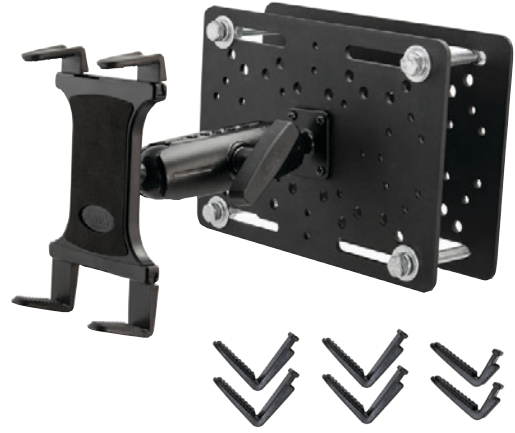
Also available:

FLBA1000C
38mm Tablet Lock Box Forklift Mount for Samsung Tab A 8.0

FLRM38TAB4
38mm Locking Forklift Tablet Mount



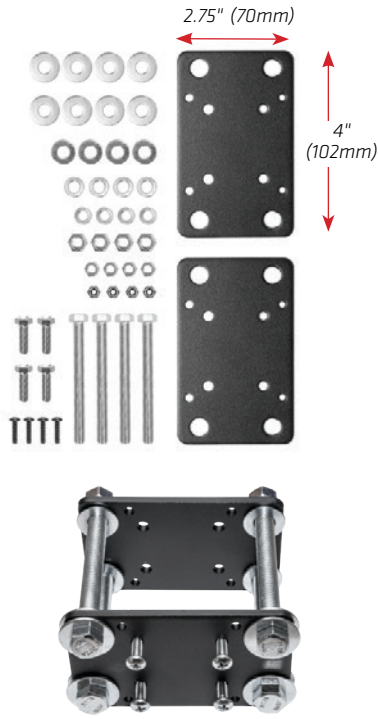
FLRM38TAB1
38mm Forklift Tablet Mount



FLRM38TAB5
38mm Plastic Locking Forklift Tablet Mount



FLIFT02
Forklift Pillar Mount Bundle



FLBKTAB01
Tablet Forklift Pillar Mount



FLBKTAB04
Locking Tablet Forklift Pillar Mount



FLBKTXL
RoadVise® XL Phone or Midsize Tablet
Forklift Pillar Mount



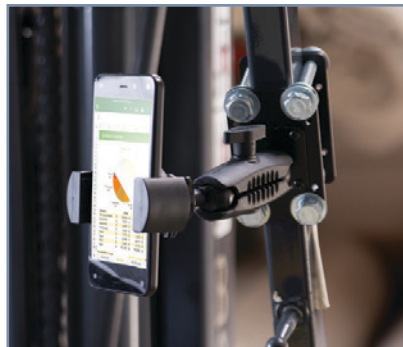
For devices up to 5" wide (127mm)



FLBKTRV
RoadVise® Forklift Pillar Phone Mount



For devices up to 4" wide (102mm)



FLBKTSM4
Mega Grip Forklift Pillar Phone Mount



For devices up to 3.5" wide (89mm)



FORKLIFT PILLAR MOUNTS

FLBKT1000C

38mm Tablet Lock Box Forklift Pillar Mount for Samsung Tab E 8.0



Also available:

FLBKTA1000C

38mm Tablet Lock Box Forklift Pillar Mount for Samsung Tab A 8.0

keys included

FLBK38TAB1

38mm Forklift Pillar Tablet Mount



Model FLBK38TAB5

FLBK38TAB4

38mm Locking Forklift Pillar Tablet Mount



keys included

FLBKT38TAB5

38mm Plastic Locking Forklift Pillar Tablet Mount



keys included

CUP HOLDER MOUNTS



RM0232T-B
Cup Holder Mount
Dual T-Tab Pattern Compatible



RM023VESA
Cup Holder VESA Mount



RM0232517
Cup Holder Mount
17mm Ball Compatible



RM023AMPS-B
Cup Holder AMPS Mount



CAMERA MOUNTS



L to R: Models TABRMTRI, RM0791420, RM0861420

RM14202T

Camera Tripod Mount - Dual T-Tab Pattern Compatible



Compatible with tripods with 1/4"-20 mounting bolt



RM1420RV

RoadVise® Phone Mount with 1/4"-20 Tripod Mounting Bolt Base



Compatible with 1/4"-20 mounting pattern

RM0791420

Sticky Suction Windshield or Dash Camera Mount



Also available:

RM0801420

Heavy-Duty Windshield Suction Camera Mount

RM080CAM

Windshield Suction Camera Mount

Compatible with 1/4"-20 mounting pattern



CAMERA MOUNTS

RM0861420

Heavy-Duty C-Clamp Camera Mount



C-Clamp Opening
0.25"-2.5" (6mm-64mm)

RMAMPS1420

Heavy-Duty 4-Hole AMPS Camera Mount



Also available:

RMSAMPS1420

Heavy-Duty 4-Hole AMPS Camera Mount with Small Robust Shaft



Model GPRM086

GPRM086

C-Clamp Mount for GoPro® Action Cameras



C-Clamp Opening
0.25"-2.5"
(6mm-64mm)

GPRMS079

Sticky Suction Mount for GoPro® Action Cameras



GPS MOUNTS

RM0806000

Windshield Suction Mount for Garmin Alpha®, Astro® Models



4-HOLE AMPS PEDESTALS

RMS2XAMPS-MET-SH

4-Hole AMPS Pedestal with Small Shaft and Metal 4-Hole AMPS Head and Base with Security Hardware



Also available:

RMS2XAMPS-MET

4-Hole AMPS Pedestal with Small Shaft and Metal 4-Hole AMPS Head and Base

MRM2XAMPS

25mm (1 inch) Metal Pedestal with Metal 4-Hole AMPS Head and Base



RM382XMAMPS

38mm (1.5 inch) Metal Pedestal with Metal 4-Hole AMPS Head and Base



RMAMPS2T-MET

4-Hole AMPS Pedestal with Dual-T Head and Metal 4-Hole AMPS Base



Also available:

RMAMPS2T

4-Hole AMPS Pedestal with 4-Hole AMPS Head and Base

Also available:

RMSAMPS2T

4-Hole AMPS Pedestal with Small Shaft and Dual T-Tab Head



RM2XAMPS-MET-SH

4-Hole AMPS Pedestal with Metal 4-Hole AMPS Head and Base and Security Hardware



Also available:

RM2XAMPS-MET

4-Hole AMPS Pedestal with Metal 4-Hole AMPS Head and Base

Also available:

RM2XAMPS

4-Hole AMPS Pedestal with 4-Hole AMPS Head



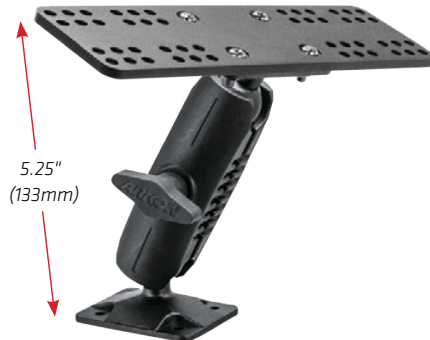
RMAMPS2517

4-Hole AMPS Pedestal with 17mm Ball Head



RMEQUIP

4-Hole AMPS Pedestal with APEQUIP Mounting Plate



RMVESAMPS

4-Hole AMPS Pedestal with VESA Head



SUCTION PEDESTALS

RM0792TWD

80mm Sticky Suction
Windshield or Dash
Pedestal with Dual
T-Tab Head



RMS0792T

80mm Sticky Suction
Windshield or Dash
Pedestal with Dual
T-Tab Head



RM0792517

80mm Sticky Suction
Windshield or Dash
Pedestal with
17mm Ball Head



RM2X80AMPS **NEW**

Double 80mm Windshield Suction Pedestal
4-Hole AMPS Compatible



RM2X802T **NEW**

Double 80mm Windshield Suction Pedestal
Dual-T Compatible



SUCTION PEDESTALS

RM0802T

80mm Windshield Suction Pedestal with Dual T-Tab Head



Disk included for optional dash mounting



RM080AMPS

Robust Suction Pedestal with 4-Hole AMPS Head

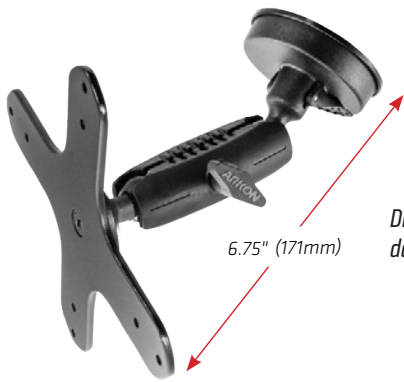


Disk included for optional dash mounting



RM080VESA

Windshield Suction Pedestal with VESA Head



Disk included for optional dash mounting



RM0802517

Windshield Suction Pedestal with 17mm Head



Disk included for optional dash mounting



HANDLEBAR PEDESTALS

MC25MM17 **NEW**

Aluminum Handlebar Pedestal
17mm Ball Compatible



Handlebar spacer rings included



MC25MM1420 **NEW**

Aluminum Handlebar Camera Mount



Handlebar spacer rings included



MC25MM2T **NEW**

Aluminum Handlebar Pedestal
Dual-T Compatible



Handlebar spacer rings included



SEAT RAIL PEDESTALS

RM08825MM **NEW**

18" 25mm Seat Rail or Floor Pedestal



- Optional floor brackets included
- Conduit included to minimize vibration



RM88MAMPS **NEW**

Seat Rail or Floor Pedestal
4-Hole AMPS Compatible



- Optional floor brackets included
- Conduit included to minimize vibration



RM8825MM2T **NEW**

Seat Rail or Floor Pedestal
Dual-T Compatible



- Optional floor brackets included
- Conduit included to minimize vibration



OTHER PEDESTALS

RMHM4AMPS **NEW**

Headrest Mount Pedestal



RMVHB2T

VHB Adhesive Pedestal with
Dual T-Tab Head



RM0862T

Heavy-Duty C-Clamp Pedestal
with 4" Adjustable Arm



25MM SPARE PARTS AND ADAPTERS

APMAMPS25MM

4-Hole Metal AMPS to 25mm (1 inch) Ball Adapter



APAMPS25MM

4-Hole AMPS to 25mm (1 inch) Ball Adapter



APCMAMPS25

Circular 4-Hole AMPS to 25mm (1 inch) Ball Adapter



SP25MM25

25mm (1 inch) Ball to 25mm Ball Adapter - Metal



SP25MMPL

25mm (1 inch) Ball to 25mm Ball Adapter - Plastic



SP20MM25

20mm Metal Ball to 25mm (1 inch) Ball Adapter



SP25MM17

25mm (1 inch) Ball to 17mm Ball Adapter



SPBASE25MM

90mm Windshield Suction Base to 25mm (1 inch) Ball Adapter



SPRM079

80mm Sticky Suction Base to 25mm (1 inch) Ball Adapter



Also available:

SPRM080

80mm Windshield Suction Base to 25mm (1 inch) Ball Adapter

25MM SPARE PARTS AND ADAPTERS

SPCLAMP25MM **NEW**

25mm (1 inch) Ball to C-Clamp Adapter



Also available:

SPCLAMP

Custom Clamp Adapter - Bulk

SP-VHB25MM

Flexible VHB Adhesive Base to 25mm (1 inch) Ball Mounting Disk



SP25MMCLAMP

25mm (1 inch) Ball to C-Clamp Adapter



AP25MMVESA

25mm (1 inch) to VESA 75/ VESA 100 Pattern Adapter



APRM2T

25mm (1 inch) Ball to Dual T-Tab Adapter



HM00425MM-B

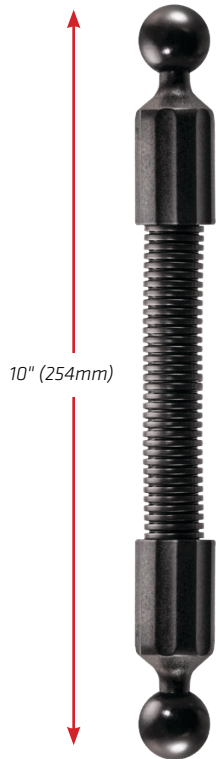
Headrest Clamp Base with 25mm (1 inch) Ball Head Adapter



25MM SPARE PARTS AND ADAPTERS

SP25EXT2510

25mm (1 inch) Ball to 25mm Ball
Extension Rod - 10 inch



SP142025MM

1/4"-20 Threaded Camera Pattern to
25mm (1 inch) Ball Adapter



SP25MMCAM

1/4"-20 Camera Screw Mount to
25mm (1 inch) Ball Adapter



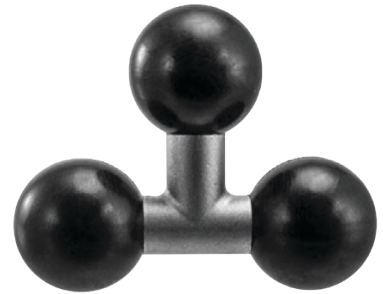
SP25MMGP

25mm (1 inch) Ball to GoPro® Lateral
Screw Pattern Adapter



APT325MM

Triple 25mm (1 inch) Ball Adapter



38MM SPARE PARTS AND ADAPTERS

APMAMPS38MM **NEW**

Universal Clamp with 38mm Ball
(1.5 inch) Adapter



AP38MMVESA **NEW**

38mm (1.5 inch) to VESA 75/ VESA 100
Pattern Adapter



APMAMPS38MM

Metal 4-Hole AMPS to 38mm (1.5 inch)
Ball Adapter



Lock It Up

Arkon's Robust Mount Shafts can be converted to accommodate environments needing a secure solution. The shaft's knob can be removed and replaced with a screw that requires a hex key or other tool to install. This simple but effective substitution deters theft and provides a clean solution for your mount.



SP-RMSH-KIT

Robust Mount Security Kit

Includes:

- 40mm Socket Head
- Zinc Nut
- Allen Key



SP-RMSH30-KIT

Robust Mount Security Hardware Kit with 30mm Socket Head

Includes:

- 30mm Socket Head
- Zinc Nut
- Washer
- Allen Key



SPTAB5KL

Hex Security Screw Pack for TAB005KL-B Locking Tablet Holder

Includes:

- (4) Hex Screw
- Hex Key



SP-TAB4SH-KIT

Security Hardware Kit for TAB004KL-B Locking Tablet Holder

Includes:

- (4) 12mm Screw
- (4) M4 Nut
- Torx Adapter Head



TAXICAB



ARKON[®] MOUNTS

Mounting Solutions & Accessories

PRODUCT CATALOG



Arkon manufactures and sells various types of mounts and stands, including camera dashboard mounts.

The Best Taxicab Mounting Solutions

This catalog is intended to spotlight an assortment of products and accessories for use in taxicabs and other passenger vehicles, including limousines and paratransit. These include front-of-vehicle mounts, including dash and seat rail mounts for use with dispatch software or navigation, as well as headrest and console mounts for passenger use. Arkon's complete product selection includes more than 500 products, many of which can be mixed and matched to meet your specific needs.








STAY AHEAD OF TECHNOLOGY

iCabbi and other automated dispatch and taxi booking systems using real-time, one-touch booking from mobile phones or over the internet are becoming increasingly popular. Mobile bookings are on the rise. If your company is considering or already using iCabbi or another system, Arkon Mounts can help drivers with high-quality mounts for tablets or smartphones.

ARKON'S COMMITMENT TO CUSTOMERS

Arkon stands behind the quality of its products and strives to ensure that customers have a positive experience. We provide a 2-year limited warranty on our products.

TABLE OF CONTENTS

 Locking Mount Solutions	4-7
 Mount Solutions	8-11
 Pedestals	12-15
 Power Solutions	16-17
 Headrest Mounts	18-19
 Drill-Base Mounts	20-21
 Smartphone Mounts	22-23

ARKON MOUNTS ARE COMPATIBLE WITH YOUR EXISTING MOUNTS

Even if your company has existing mounts in place, Arkon Mounts can still help with replacement parts. Our unique line of mix-and-match products provide an incredible amount of flexibility and are compatible with mounts from HiNT, PanaVise®, and RAM® Mounts.



Locking Mount Solutions

Whether your fleet consists of a few or thousands of vehicles, Arkon can meet your company's unique requirements. We offer powered mounting solutions with charging and security options. These sturdy universal locking tablet mounts are ideal for taxicabs, where keeping your tablet secure is essential. The mount's 4-Hole AMPS drill base can be screwed or drilled into dashboards or consoles, and features a key lock (keys included) to keep the tablet securely in its holder but can be removed if necessary.

TAB4METKL

Universal Metal Locking Tablet Mount with 4-Hole AMPS Drill Base

- Metal drill base with double rubber ball
- 360° swivel adjustment
- Fits devices with 7" to 10.1" screen size
- Universal adjustable cradle
- Key lock with keys
- Compatible with cases



For more information on Arkon's locking tablet holder (Model TAB004KL-B) see page 10.

LBFLXTABE-MAGKIT

4-Hole AMPS Drill-Base Tablet Lock Box FLEX Mount Bundle for Samsung Galaxy Tab® E 8.0



security hardware prevents theft



keys included



BUNDLE INCLUDES:

- Metal AMPS double rubber ball mounting system
- Security hardware
- Quick Connect Magnetic Power System with Fixed Install Power Harness 5V/2.4A (see page 7)
- Custom fit Tab E 8.0 rugged case with integrated hand strap
- Locking mounting cradle
- Fixed install power or charge cable



QUICK CONNECT MAGNETIC SYSTEM

The Quick Connect Magnetic System is designed to protect the charging port and eliminate damage to the tablet. This connector plugs into the charging port of your device. The operator will never have to unplug the connector from the device.



Arkon's **TAB001-AMPS** Slim-Grip Universal Tablet Holder features a 4-Hole AMPS pattern (rectangular pattern spaced at 30.17mm by 38.05mm) and is compatible with all of Arkon's AMPS-pattern pedestals, including those found on pages 12, 13, 17, 18, and 19.

TAB001-AMPS
Slim-Grip® Universal Tablet Holder
with 4-Hole AMPS Pattern



Dimensions:

Minimum opening: 6.25" (158.75mm)

Maximum opening: 12" (304.8mm)

- Fits 7" to 12.9" screen size tablets
- Spring-loaded design
- Customizable support legs (4 short/2 medium/4 long) and stoppers included for a secure fit

APM206MM

Metal 20.6mm Ball to 4-Hole
AMPS Pattern Adapter



- Allows 20.6 (.8 inch) mount to accommodate 4-Hole AMPS pattern tablet holders
- Compatible with HiNT Mounts and other 20.6mm ball pattern mounts



GN092-L23-AMPS with TAB001-AMPS

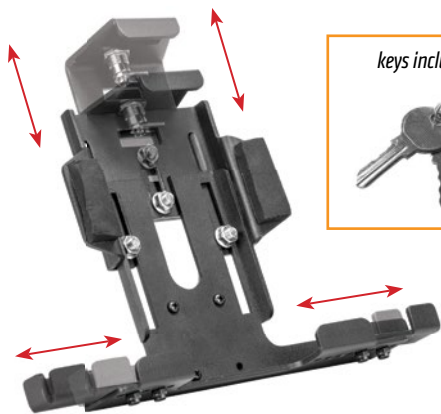
Arkon Mounts are Compatible with Your Existing Mounts

Even if your company has existing mounts in place, Arkon Mounts can still help with replacement parts. Our unique line of mix-and-match products provide an incredible amount of flexibility and are compatible with mounts from HiNT, PanaVise®, and RAM® Mounts.

Model **TAB004KL-B** Universal Metal Locking Tablet Holder features a 4-Hole AMPS pattern (rectangular pattern spaced at 30.17mm by 38.05mm) and is compatible with all of Arkon's AMPS pattern pedestals, including those found on pages 13, 14, 19, 20, and 21.

TAB004KL-B

Universal Metal Locking Tablet Holder with Key Lock



keys included



Dimensions:

Min. width: 7.75" (197mm)
Max. width: 10.25" (260mm)
Min. height: 5.0" (127mm)
Max. height: 8.63" (219mm)
Depth: .88" (22mm)

- Fits tablets up to 10" screen size
- Included keys secure tablet

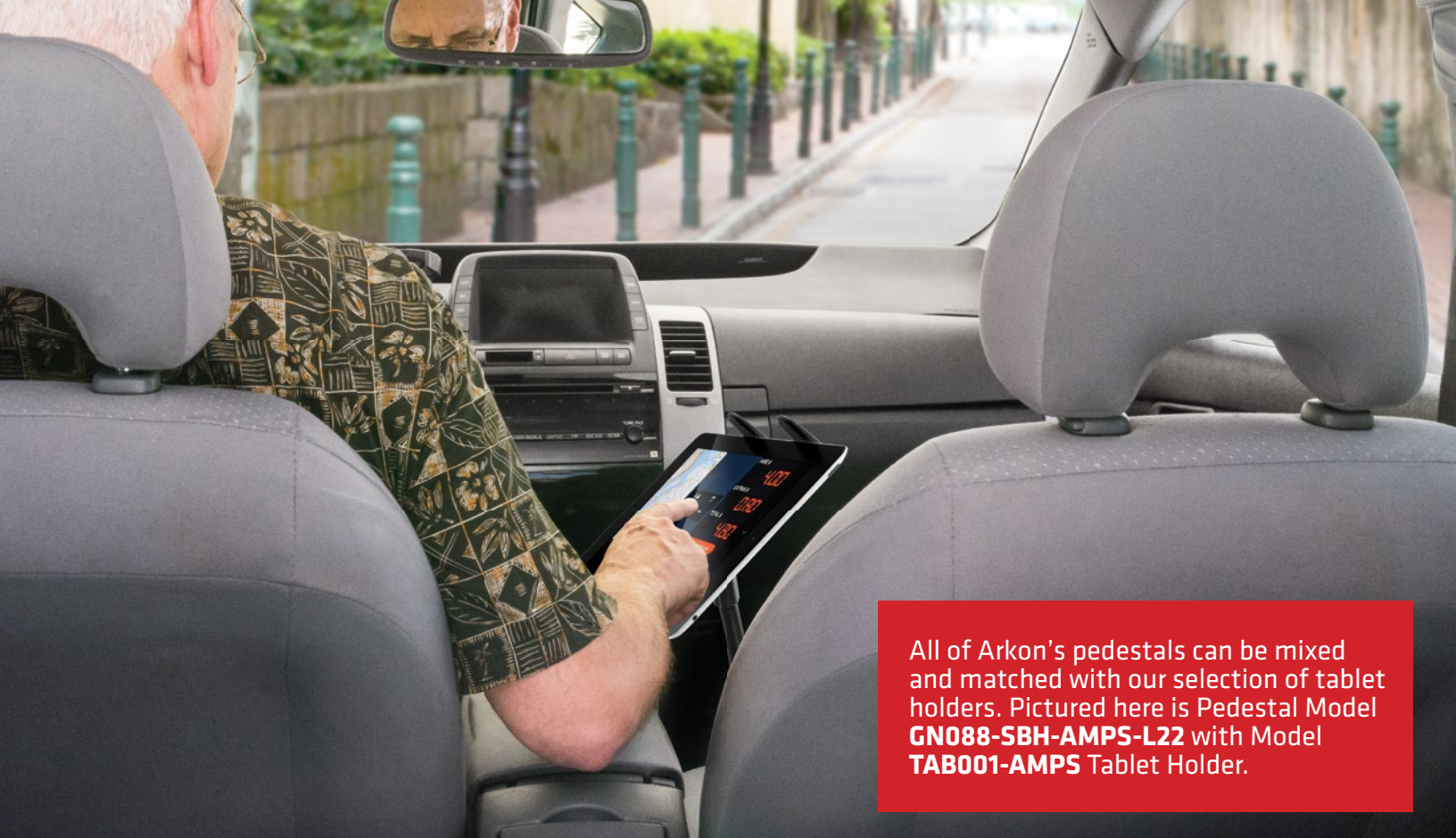
TCSTABE8

Case for Samsung Galaxy Tab® E 8.0

pop-out
kickstand



Pair your Samsung Galaxy Tab® E 8.0 tablet with Arkon's **TCSTABE8** case. This sturdy black TPU + PC case is custom-made for the Tab E 8.0 (measures 8.34" x 4.96" x .45") and features dual layer protection, with a rubber outside layer and plastic inside layer. Keep your Tab E 8.0 secure with our **TAB004KL-B** Universal Metal Locking Tablet Holder (pictured). The case also includes a kickstand for ease of use when not in the holder.



All of Arkon's pedestals can be mixed and matched with our selection of tablet holders. Pictured here is Pedestal Model **GN088-SBH-AMPS-L22** with Model **TAB001-AMPS** Tablet Holder.

GN088-SBH-AMPS-L22

22" Car Seat Rail or Floor Mount
with Flexible Gooseneck

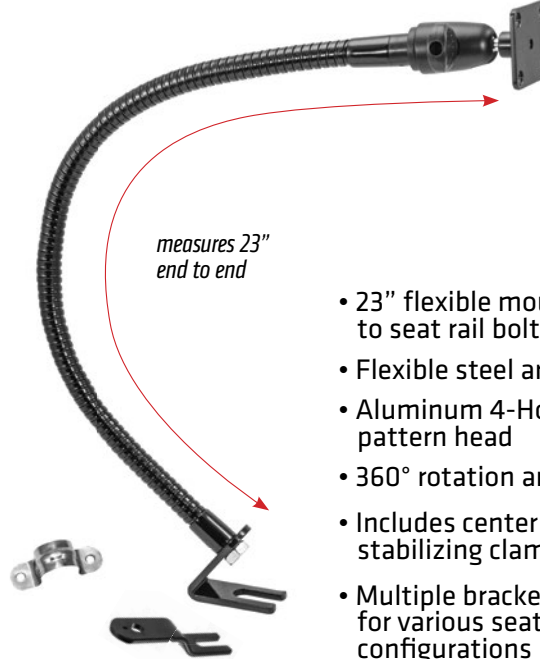


*measures 22"
end to end*

- 22" flexible mount connects to seat rail bolt or drills into car floor
- Flexible aluminum arm
- 4-Hole AMPS pattern head
- 360° rotation and tilt
- Includes center console stabilizing clamp

GN092-L23-AMPS

23" Seat Rail Mount with Flexible
Metal Gooseneck and AMPS Head

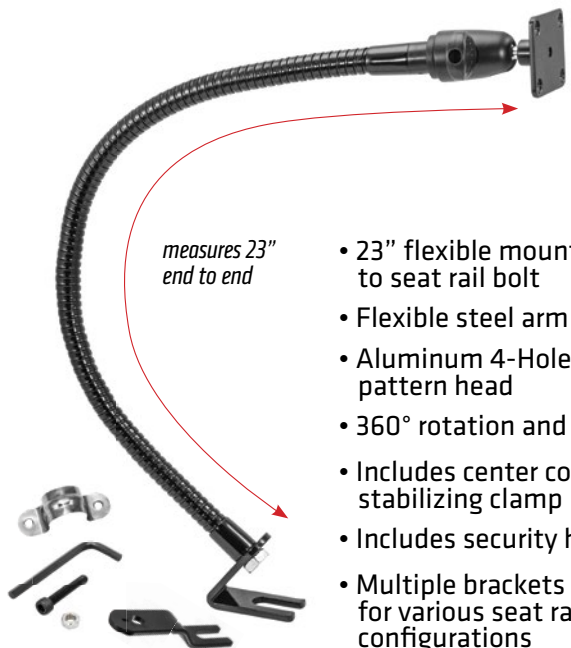


*measures 23"
end to end*

- 23" flexible mount connects to seat rail bolt
- Flexible steel arm
- Aluminum 4-Hole AMPS pattern head
- 360° rotation and tilt
- Includes center console stabilizing clamp
- Multiple brackets included for various seat rail configurations

GN092-L23-AMPS-SH

23" Seat Rail Mount with Flexible Metal Gooseneck and AMPS Head with Security Hardware

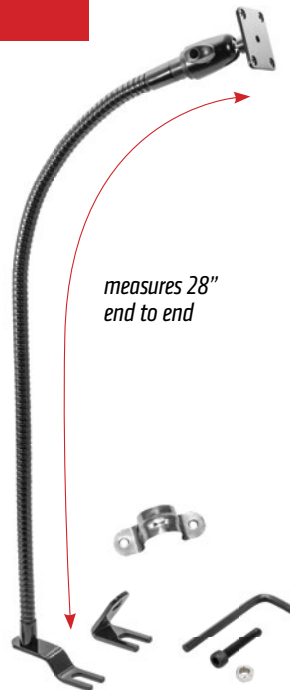


*measures 23"
end to end*

- 23" flexible mount connects to seat rail bolt
- Flexible steel arm
- Aluminum 4-Hole AMPS pattern head
- 360° rotation and tilt
- Includes center console stabilizing clamp
- Includes security hardware
- Multiple brackets included for various seat rail configurations

GN092-L28-AMPS-SH

28" Seat Rail Mount with Flexible Metal Gooseneck and AMPS Head with Security Hardware



*measures 28"
end to end*

- 28" flexible mount connects to seat rail bolt
- Flexible steel arm
- Aluminum 4-Hole AMPS pattern head
- 360° rotation and tilt
- Includes center console stabilizing clamp
- Includes security hardware
- Multiple brackets included for various seat rail configurations



Security hardware is included with select pedestal models to help keep your tablet safe. Pictured here is Pedestal Model **GN092-L28-AMPS-SH** with Model **TAB004KL-B** Locking Tablet Holder.

CAVPA1

5V/2.4 AMP Hardwire/Fixed Install Kit

- Compatible with Samsung and Apple®
- NAC certified
- Internal and external fuse for added protection
- 90-minute ignition sense timer



- Female USB to hardwire
- 6 foot (1.8 meters)
- Input: 12V - 24V
- Output: 2.4A - 5V

CLA40405

4-Port Car Charger

- Charges up to four powered devices simultaneously
- Includes USB, USB-C, and Qualcomm® Quick Charge™ Ports
- Input: 12V - 24V
- Output Max: 5V 10A



TYPE C

USB

QUALCOMM®
QUICK CHARGE™ 3.0



CLAIQ48
Double USB Car Charger

- Two USB ports for simultaneous charging of two devices
- Input: DC 12-24V
- Output: DC 5V 4.8A
- FCC CE ROHS certified



CAUSBMC90
USB to Micro USB Cable

- 3 foot (0.9 meter)
- With 90-Degree overmold
- 20 AWG (Power) + 28 AWG (Data)
- 2.1A



IBA-41400-B
USB to Apple Lightning® Cable

- 6.5 foot (2 meters)
- MFI Certified for iPhone®, iPad®
- For up to 2.1A chargers



CAUSBMC3
USB to Micro USB Cable

- 3 foot (0.9 meter)
- 2.1A





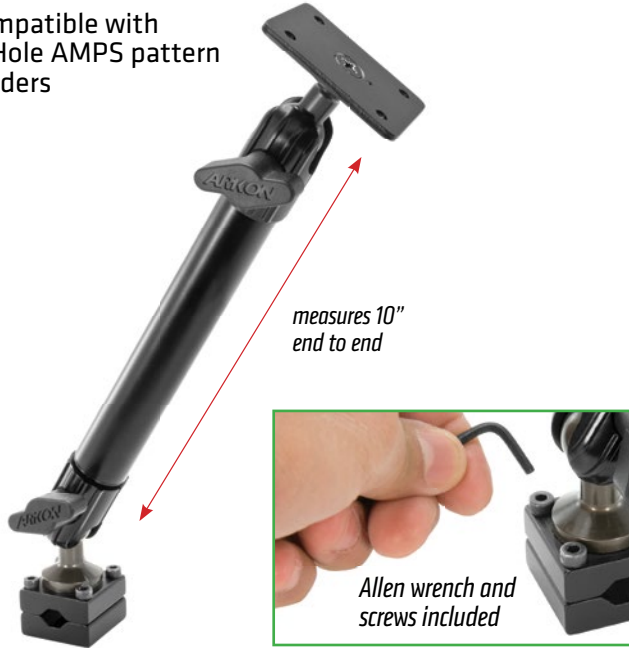
Headrest Mounts

Arkon's headrest mounts are the perfect solution for passenger advertising and payment options. These mounts can include security hardware to prevent passenger tampering, and flexibility for positioning them at the desired angle.

HMHD5AMPS

10" Heavy-Duty Headrest Mounting Pedestal with AMPS Head

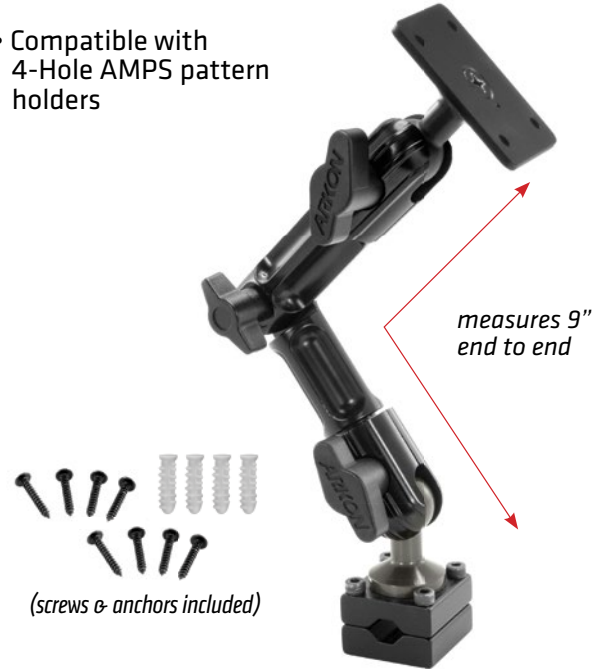
- Compatible with 4-Hole AMPS pattern holders



HMHD6AMPS

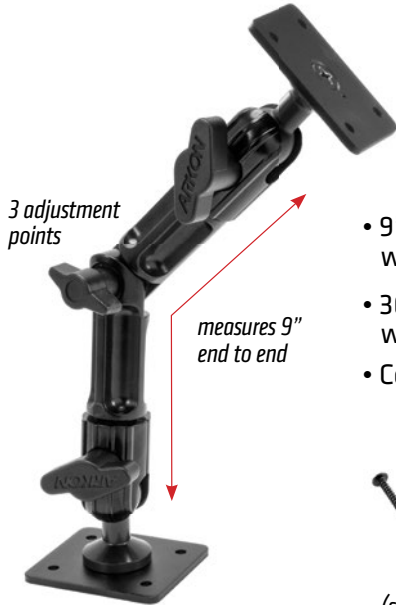
9" Heavy-Duty Multi-Angle Headrest Clamp Pedestal with AMPS Head

- Compatible with 4-Hole AMPS pattern holders



HD006-AMPS

9" Multi-Angle Aluminum 4-Hole
AMPS Drill-Base Mounting Pedestal
with AMPS Head



3 adjustment
points

measures 9"
end to end

- 9" aluminum drill base with articulating arm
- 360° double ball rotation with tilt top and bottom
- Center pivot joint



(screws & anchors included)

HD010AMPS

6" Multi-Angle Aluminum 4-Hole
AMPS Drill-Base Mounting Pedestal
with AMPS Head



3 adjustment
points

measures 6"
end to end

- 6" aluminum drill base with articulating arm
- 360° double ball rotation with tilt top and bottom
- Center pivot joint



(screws & anchors included)



RM2XAMPS-MET-SH

Robust 4-Hole AMPS Drill-Base Mount with Metal AMPS Head and Security Hardware



- 25mm (1") double rubber ball
- Metal 4-Hole AMPS pattern head
- Includes hex head security hardware

RMS2XAMPS-MET-SH

Robust 4-Hole AMPS Drill-Base Mount with Small Shaft, Metal AMPS Head and Security Hardware

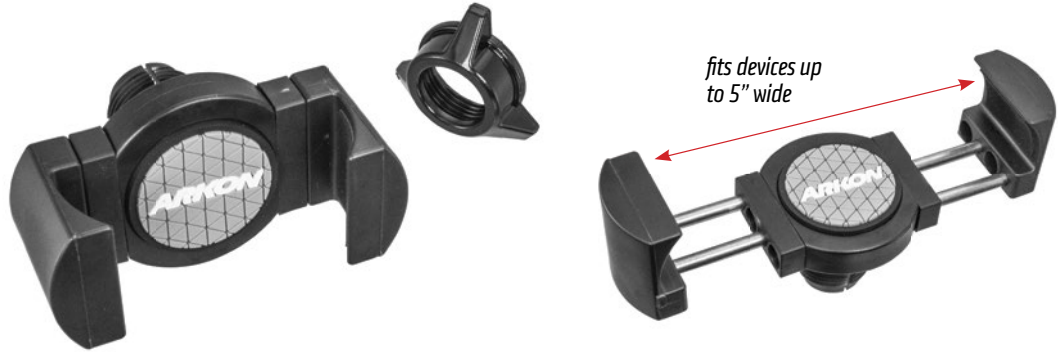


- 25mm (1") double rubber ball
- Metal 4-Hole AMPS pattern head
- Includes hex head security hardware

RVXLWR-B

RoadVise™ XL Phone and Midsize Tablet Holder

- Fits devices 2.65" to 5" wide
- Not recommended for devices less than 2.64" wide



Smartphone Mounts

Arkon has been the mobile mounting solutions leader for almost 30 years, and our quality smartphone mounts are trusted by drivers around the world. Choose from a sticky suction base (a powerful combination of polyurethane gel and suction), windshield suction base, or drill base models. Our selection of universal smartphone holders provides a sturdy, vibration-free view of your smartphone while on the road.

RM6AMPS2T

Heavy-Duty Drill-Base Phone or Midsize Tablet Mount

- Spring-loaded holder
- Holds phones and midsize tablets up to 7.5" tall

*measures 5" (127mm)
end to end*



SM688L22

Car Seat Rail or Floor Phone or Midsize Tablet Mount

- Holds phones and midsize tablets up to 7.5" tall
- Spring-loaded holder
- Connects to seat rail bolt or can be drilled into floor



MG279

Mobile Grip 2 Car Phone Mount



TOWING



ARKON[®] MOUNTS

Mounting Solutions & Accessories

PRODUCT CATALOG



Arkon manufactures and sells various types of mounts and stands, including camera dashboard mounts. Visit arkon.com for our complete product selection.

The Best Mounting Solutions for Commercial Towing

This catalog is intended to spotlight an assortment of mounting products and accessories for use in commercial tow trucks, which include windshield, dashboard, console, and seat rail mounts. Arkon's complete product selection includes more than 500 products, many of which can be mixed and matched to meet your specific needs. For the most comprehensive offering of our products, visit **arkon.com**, or contact one of our account managers who can help you identify the perfect mounting solution.

FULL-SERVICE SOLUTIONS

We pride ourselves in offering full solutions for your unique mounting needs. We've been in business for over 29 years and have the experience to anticipate and provide the solutions that you'll need: a heavy-duty pedestal that will hold up over multiple uses and limit vibration, a sturdy cradle that will hold your device securely and can be locked if needed, and quality accessories, such as cases, adapters, and power solutions.

ARKON'S COMMITMENT TO CUSTOMERS

Arkon stands behind the quality of its products and strives to ensure that customers have a positive experience. We provide a **2-year limited warranty** on our products.

ARKON MOUNTS ARE COMPATIBLE WITH YOUR EXISTING MOUNTS

Even if your company has existing mounts in place, Arkon Mounts can still help with replacement parts. Our unique line of mix-and-match products provide an incredible amount of flexibility and are compatible with mounts from other manufacturers.

Locking Mount Solutions

Whether your fleet consists of a few or thousands of vehicles, Arkon can meet your company's unique requirements. We offer a range of locking mounting solutions with charging options. These sturdy universal locking tablet mounts are ideal for tow trucks, where keeping a tablet secure is essential. The 4-Hole AMPS drill base can be screwed or drilled into dashboards or consoles, and the mount features a key lock (keys included) to keep the tablet securely in its holder but can be removed if necessary.



TAB4METKL

Universal Metal Locking Tablet Mount
with 4-Hole AMPS Drill Base

- Metal drill base with double rubber ball
- 360° swivel adjustment
- Fits devices with 7" to 10.1" screen size
- Universal adjustable cradle
- Key lock with keys
- Compatible with cases



keys included



For more information on Arkon's locking tablet holder (Model TAB004KL-B) see page 13.

LBFLXTABE-MAGKIT

4-Hole AMPS Drill-Base Tablet Lock Box FLEX Mount Bundle for Samsung Galaxy Tab® E 8.0



security hardware prevents theft



keys included



BUNDLE INCLUDES:

- Custom fit Tab E 8.0 rugged case with integrated hand strap
- Locking mounting cradle
- Quick Connect Magnetic Power System with Fixed Install Power Harness 5V/2.4A (see page 7)
- Fixed install power or charge cable
- Metal AMPS double rubber ball mounting system
- Security hardware

QUICK CONNECT MAGNETIC SYSTEM

The Quick Connect Magnetic System is designed to protect the charging port and eliminate damage to the tablet. This connector plugs into the charging port of your device. The operator will never have to unplug the connector from the device.



TABRMAMPS-MET

Robust Tablet Mount with Metal
4-Hole AMPS Drill Base



- Metal 4-Hole AMPS provides added strength
- Fits tablets 7" to 18.4" in screen size
- Customizable support legs (4 short/2 medium/4 long) and stoppers included for a secure fit



Also available: RM6AMPS2T
Robust 4-Hole AMPS Drill-Base Mount for
Midsize Tablet or Smartphone

RMS2XAMPS-MET

Robust 4-Hole AMPS Drill-Base Mount with 4" Shaft and Metal 4-Hole AMPS Head



- Metal 4-Hole AMPS connections provide added strength
- Double ball adjustment
- Security hardware available

Also available: RMS2XAMPS-MET-SH

Robust 4-Hole AMPS Drill-Base Mount with Metal 4-Hole AMPS Head and Security Hardware

XLRMAMPS

Robust Phone and Midsize Tablet Mount with 4-Hole AMPS Drill Base

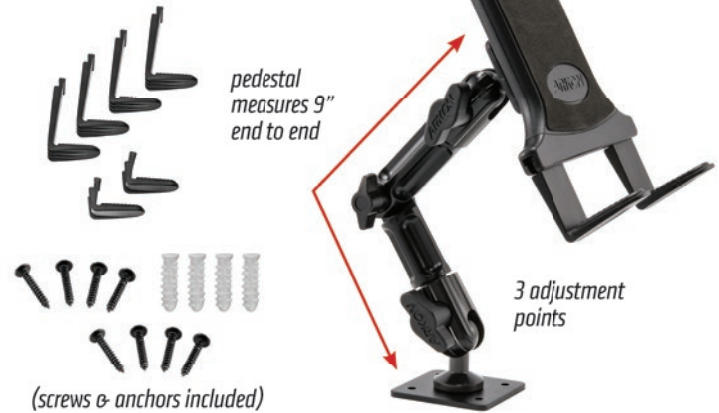


- Fits devices 2.65" to 5" wide
- Not recommended for devices measuring less than 2.64" wide



TAB806

9" Heavy-Duty Aluminum
Tablet Mount with Multi-
Angle Arm and 4-Hole
AMPS Drill Base



- Fits tablets 7" to 18.4" in screen size
- Customizable support legs (4 short/2 medium/4 long) and stoppers included for a secure fit
- Drill base recommended for permanent installations

HD006AMPS

9" Multi-Angle Aluminum 4-Hole
AMPS Drill-Base Mounting Pedestal
with AMPS Head



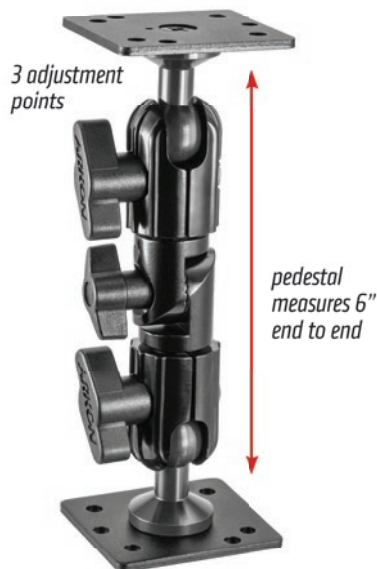
- 9" aluminum drill base with articulating arm
- 360° double ball rotation with tilt top and bottom
- Center pivot joint



(screws & anchors included)

HD010AMPS

6" Multi-Angle Aluminum 4-Hole
AMPS Drill-Base Mounting Pedestal
with AMPS Head



- 6" aluminum drill base with articulating arm
- 360° double ball rotation with tilt top and bottom
- Center pivot joint



(screws & anchors included)



HD003-AMPS

22" 4-Hole AMPS Drill-Base
Aluminum Mounting Pedestal

*measures 22"
end to end*



3 adjustment points



(screws included)

- Compatible with devices and holders having a 4-Hole AMPS pattern
- Recommended for permanent installations
- Adjustable arm and swivel ball provide flexibility in positioning device

TAB803

Heavy-Duty Aluminum Drill-Base
Tablet Mount with 22"
Adjustable Arm

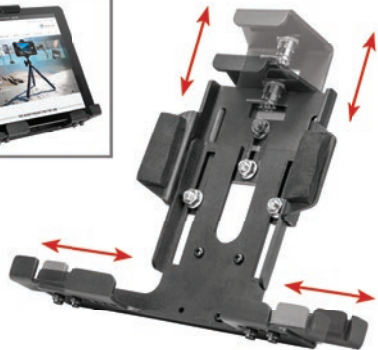
*measures 22"
end to end*



- Fits tablets 7" to 18.4" in screen size
- Customizable support legs (4 short/2 medium/4 long) and stoppers included for a secure fit
- Drill base recommended for permanent installations

TAB004KL-B

Universal
Metal Locking
Tablet Holder
with Key Lock



- Fits tablets up to 10" screen size
- Keys included

TAB001-AMPS

Slim-Grip®
Universal Tablet
Holder with 4-Hole
AMPS Pattern



- Fits tablets with 7" to 18.4" screen size
- Spring-loaded design
- Includes support legs and stoppers

RVXL-B

RoadVise™ XL
Phone and Midsize
Tablet Holder



- Fits devices 2.65" to 5" wide
- Spring-loaded design

SM060-2

Slim-Grip® Ultra™
Universal Phone and
Midsize Tablet Holder



- Fits devices up to 7.5" tall
- Spring-loaded design
- Includes support legs and stoppers

HD001AMPS

22" Aluminum Seat Rail Mounting Pedestal with Adjustable Arm and 4-Hole AMPS Head



3 adjustment points

measures 22"
end to end

- 22" mount connects to seat rail bolt
- Aluminum 4-Hole AMPS pattern head
- 360° rotation and tilt
- Multiple brackets included for various seat rail configurations

TAB801

22" Heavy-Duty Aluminum Seat Rail Mount with Adjustable Arm



pedestal
measures 22"
end to end

3 adjustment
points

- 3 adjustment points
- Multiple brackets included for various seat rail configurations
- Tablet holder fits tablets 7" to 18.4" screen size
- Spring-loaded design
- Customizable support legs (4 short/2 medium/4 long) and stoppers included for a secure fit

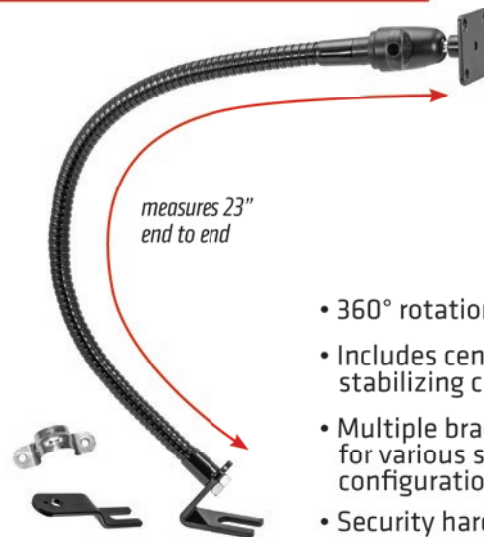
TAB188L22

Seat Rail or Floor Tablet Mount
with 22" Flexible Gooseneck



GN092-L23-AMPS

23" Seat Rail Mount with Flexible
Metal Gooseneck and AMPS Head
with Security Hardware



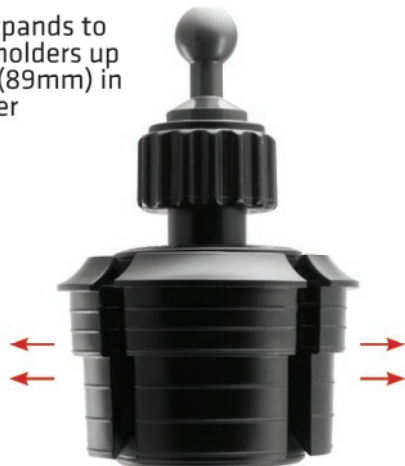
Also available: GN092-L28-AMPS

28" Seat Rail Mount with Flexible Steel Gooseneck
and 4-Hole AMPS Head

Arkon's popular cup holder mount is a great choice for those who want their device at eye level but don't want it on the dash or windshield. The mount can be configured to hold large tablets (Model **TABRM023**) as well as phones and midsize tablets. Or, pair the cup holder pedestal with another holder of your preference. The mount's base expands to fit cup holders up to 3.5" in diameter.



Base expands to fit cup holders up to 3.5" (89mm) in diameter



Model TABRM023

SPRM023

Heavy Duty Car Cup Holder Mounting Pedestal



*pedestal
measures 9.5"
(241mm)
end to end*

- Compatible with device holders featured on page 13 (adapters may be required)
- 180-degree ball adjustment
- 25mm ball head



TABRM023

Robust Car Cup Holder Tablet Mount



*pedestal
measures 9.5"
(241mm)
end to end*

- Slim-Grip® Tablet Holder fits tablets 7" to 18.4" screen size
- Spring-loaded design
- Customizable support legs (4 short/2 medium/4 long) and stoppers included for a secure fit

CAVPA1

5V/2.4 AMP Hardwire/Fixed Install Kit

- Compatible with Samsung and Apple®
- NAC certified
- Internal and external fuse for added protection
- 90-minute ignition sense timer

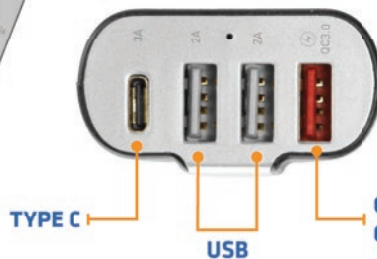


- Female USB to hardwire
- 6 foot (1.8 meters)
- Input: 12V - 24V
- Output: 2.4A - 5V

CLA40405

4-Port Car Charger

- Charges up to four powered devices simultaneously
- Includes USB, USB-C, and Qualcomm® Quick Charge™ Ports
- Input: 12V - 24V
- Output Max: 5V 10A



TYPE C
USB
QUALCOMM®
QUICK CHARGE™ 3.0

CLAIQ48

Double USB Car Charger

- Two USB ports for simultaneous charging of two devices
- Input: DC 12-24V
- Output: DC 5V 4.8A/2.4 AMP per USB
- FCC CE ROHS certified



CAUSBMC90

USB to Micro USB Cable

- 3 foot (0.9 meter)
- With 90-Degree overmold
- 20 AWG (Power) + 28 AWG (Data)
- For up to 2.1A chargers



IBA-41400-B

USB to Apple Lightning® Cable

- 6.5 foot (2 meters)
- MFI Certified for iPhone®, iPad®
- For up to 2.1A chargers



CAUSBMC3

USB to Micro USB Cable

- 3 foot (0.9 meter)
- For up to 2.1A chargers

